

Date:

Client:

Project:

VOLA product: 5202

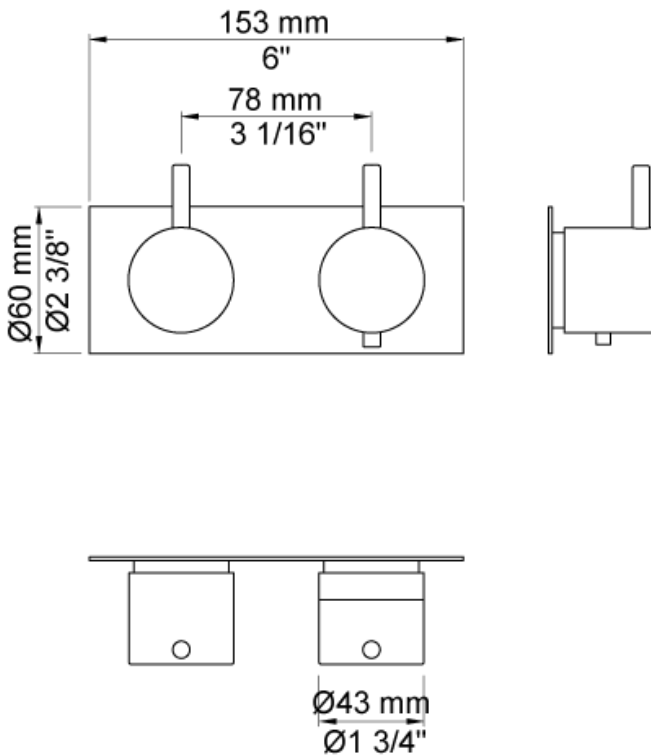


5202

¾" thermostatic mixer. 5202UP = Thermostatic mixer 5200V. 5202AP = Handle NR51, handle NR52, two-hole plate 153 x 60 mm 5002.

Flow

	Psi:	14.5	29.0	43.5	58.0	72.5
5202	(gal/min)	6.9	9.7	11.9	13.7	15.3



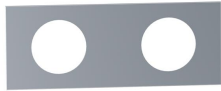
Available in colors

- Color 02, Grey
- Color 04, Light blue
- Color 05, Orange
- Color 06, Light green
- Color 08, Yellow
- Color 09, Dark grey
- Color 12, Mocca
- Color 14, Bright red
- Color 15, Dark blue
- Color 16, Polished chrome
- Color 17, Gloss black
- Color 18, White
- Color 19, Natural brass
- Color 20, Brushed chrome
- Color 21, Carmine red
- Color 25, Pink
- Color 27, Matt black
- Color 40, Brushed stainless steel

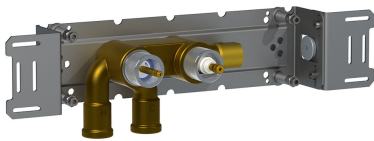
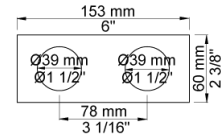
Date:

Client:

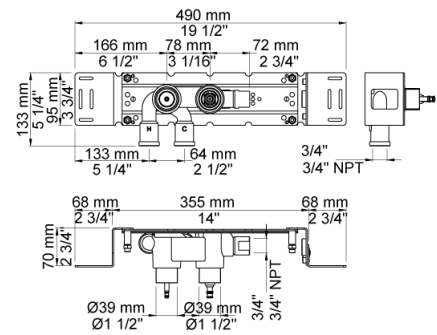
Project:



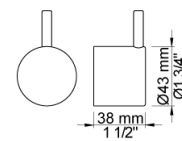
5002
Two-hole plate (for 5200 and 5200V).



5200V
Thermostatic mixer without outlet socket. 3/4" connection to copper, steel, iron or pex pipe work.



NR51
On/off handle for 5000 and 6000.



Date:

Client:

Project:



NR52
Thermostatic handle for serie 5000.

