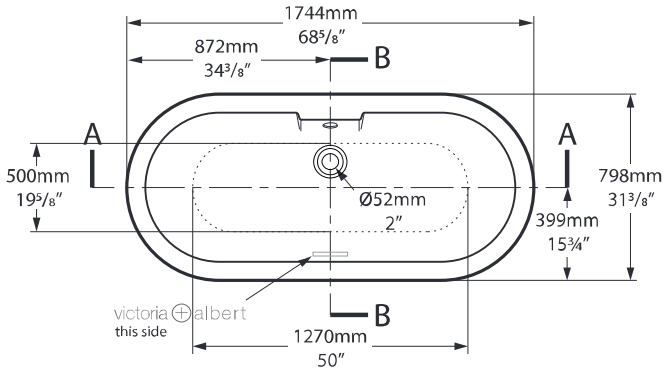


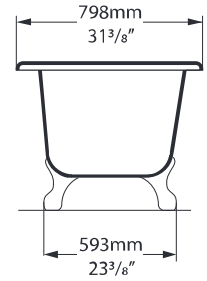
# Cheshire

CHE-N-xx-OF

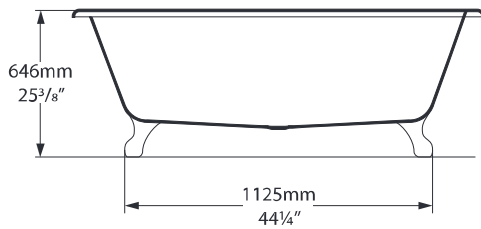
## Top view



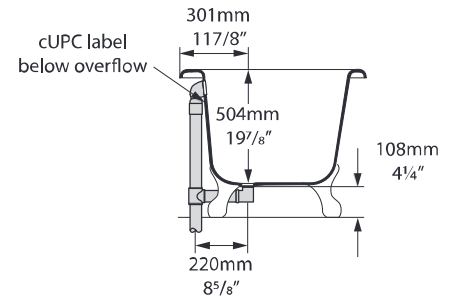
## Front view



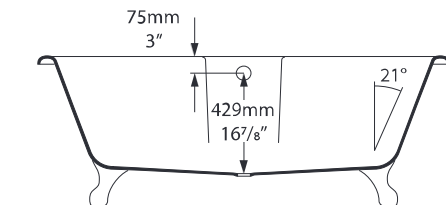
## Side view



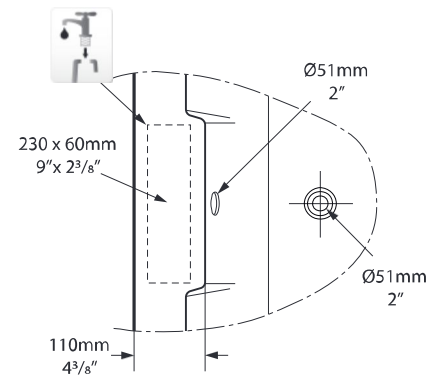
## Section BB Shown with K50 waste kit



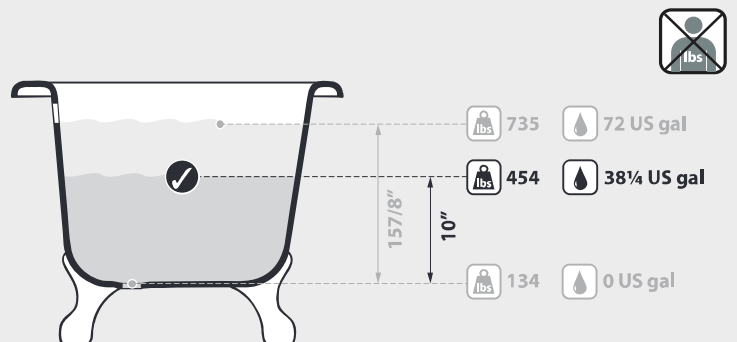
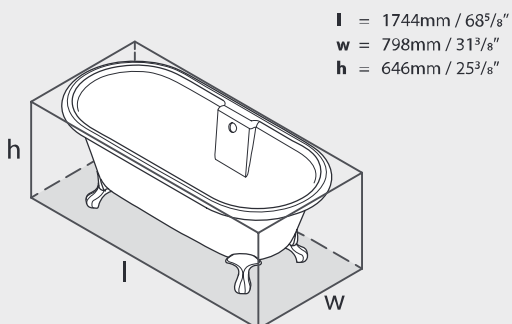
## Section AA



Tap holes can be drilled by installer  
Les trous de robinetterie peuvent être percés par l'installateur  
Pueden ser perforados por el instalador



\*All measurements subject to +/-5% tolerance



.dwg | .dxf | .skp [www.vandabaths.com](http://www.vandabaths.com)



Massachusetts Code: Approved  
cUPC Listing by IAPMO: File No. 6574



VA/1181/10/Jan19