

SET LIVING SQUARE

Countertop basin / cutable

81643.8



TECHNICAL DATA

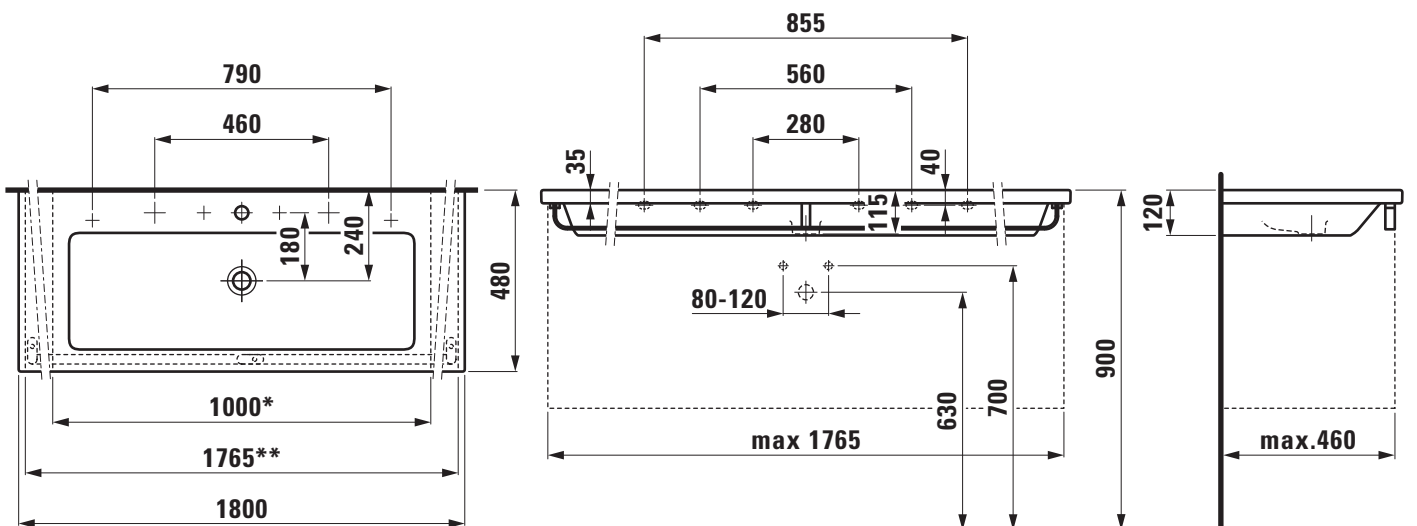
Order no.	81643.8
Certified to	EN 14688
Dimensions	1800 x 480 mm
Inside dimensions of the basin	900 x 295 mm
Specification	Always to be fixed to the wall. Cuttable to 1000 mm, with towel rail to 1765 mm Charge 104 – 1 centre tap hole, with overflow
Special specification	Charge 111 – 1 centre tap hole, without overflow Charge 107 – 2 tap holes, with overflow Charge 115 – 2 tap holes, without overflow Charge 108 – 3 tap holes, with overflow Charge 136 – 3 tap holes, distance 8 inches, with overflow Charge 158 – 3 tap holes, without overflow Charge 109 – without tap holes, with overflow Charge 112 – without tap holes, without overflow 1 centre tap hole, 1 hole left for soap dispenser Charge 804 – with overflow Charge 816 – without overflow 1 centre tap hole, 1 hole right for soap dispenser Charge 805 – with overflow Charge 817 – without overflow 1 centre tap hole, 1 hole right for electronic valve unit to control the temperatur of the water and the flow rate Charge 814 – with overflow Charge 815 – without overflow

Special specification	2 tap holes, 1 hole left and right outside for soap dispenser Charge 807 – with overflow Charge 819 – without overflow 3 tap holes, 1 hole left for soap dispenser Charge 808 – with overflow Charge 820 – without overflow 3 tap holes, 1 hole right for soap dispenser Charge 809 – with overflow Charge 821 – without overflow 3 tap holes, 1 hole left and right for soap dispenser Charge 810 – with overflow Charge 823 – without overflow
Weight	45,0 kg
Accessories excl.	Towel rail, order no. 38143.5
Mounting acc. excl.	3x Mounting set M10 x 140 mm, order no. 89988.2
Otherwise	When ordering the cut version use the order form for cutting
Colours	see colour table

SPECIFICATION TEXT

Cutable countertop basin Laufen-LIVING SQUARE, sanitary ceramic EN 14688, dimensions 1800 x 480 mm, angular, 1 centre tap hole
Special feature: overflow channel glazed, cuttable to 1000 mm, with towel rail cuttable to 1765 mm, integrated shelves
Further options / accessories: Surface refinement LCC (only white), 2 or 3 tap holes, without tap holes, with or without overflow, hole for soap dispenser left or right, electronic valve unit to control water temperature and flow rate, 3 tap holes distance 8 inches with overflow, towel rail 38143.5, furniture
Order no. 81643.8

TECHNICAL DRAWINGS / S 1 : 20



* = minimum measure for cutting / ** = minimum measure for cutting with towel rail