

SET LAUFEN PRO S

Double countertop basin 81496.8



TECHNICAL DATA

Order no.	81496.8
Certified to	EN 31
Dimensions	1300 x 460 mm
Inside dimensions of the basin	per basin 545 x 290 mm
Specification	Charge 104 – per basin 1 centre tap hole per basin 1 overflow
Special specification	Charge 108 – per basin 3 tap holes per basin 1 overflow Charge 109 – without tap holes per basin 1 overflow Charge 111 – per basin 1 centre tap hole, without overflow Charge 112 – without tap holes, without overflow Charge 136 – per basin 3 tap holes, distance 8 inches Charge 158 – per basin 3 tap holes, without overflow
Weight	32,0 kg

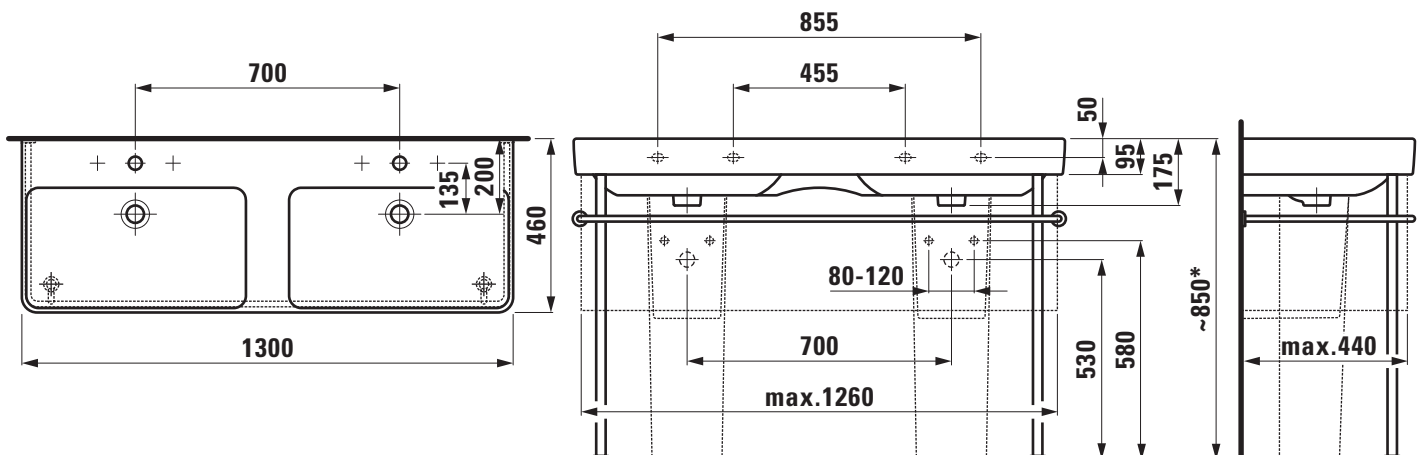
Accessories excl.	Siphon cover, order no. 81996.3 (3 tap holes not possible) Pedestal, order no. 81996.2 Towel rack, order no. 38196.0.004.430.1
Mounting acc. excl.	2x Mounting set M10 x 140 mm, order no. 89988.2

Colours see colour table

SPECIFICATION TEXT

Double countertop basin LAUFEN PRO S, sanitary ceramic EN 31, dimensions 1300 x 460 mm, angular per basin 1 centre tap hole
Special feature: overflow channel glazed
Further options / accessories: Surface refinement LCC (only white), per basin 3 tap holes, without tap holes, per basin 1 tap hole without overflow, without tap holes and overflow, per basin 3 tap holes distance 8 inches, per basin 3 tap holes without overflow, siphon cover, pedestal, towel rack, bathtubs, furniture
Order no. 81496.8

TECHNICAL DRAWINGS / S 1 : 20



* = Effective height must be fixed according to the height of the pedestal.