



Single hole lavatory faucet
MMRDS01JXX



Specifications

Descriptions

- Ceramic cartridge
- Push drain
- 3/8" speedway compression

Available colors

- C : Chrome
- CBK : Chrome/Black
- BN : Brushed nickel (PVD)
- BNBK : Brushed Nickel (PVD) / Black
- PN : Polished nickel (PVD)
- PNBK : Polished nickel (PVD)/Black
- BK : Black

Available flows

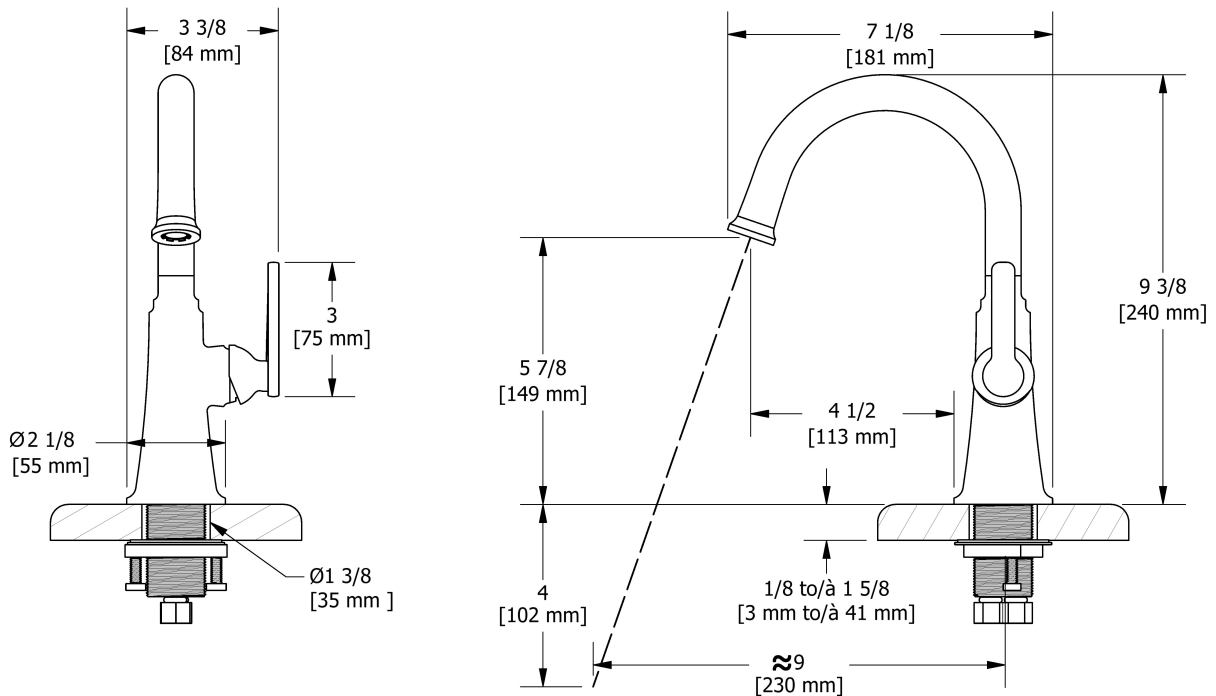
- 5.7 L/min, 1.5 gpm (US) 60psi
- 1.9 L/min, 0.5 gpm (US) 60psi (MMRDS01JXX-05)
- 3.7 L/min, 1 gpm (US) 60psi (MMRDS01JXX-10)

Cartridge

- 401-223

Certifications

- CSA B125.1
- NSF/ANSI standard 61 and 372
- ASME A112.18.1
- ADA



Sizes, models and finishes may differ from those presented.

Warranty

This Riobel Inc. product you have purchased carries a **Limited lifetime warranty on the chrome, PVD finished and all working parts** and is guaranteed from the initial purchase date against all **manufacturing defects**. All other finishes including plastic component are guaranteed for one year. All electric and/or electronic parts are covered by a 1-year limited warranty.

Customer Service

Ontario, West Canada : 888-287-5354 Quebec, Maritimes, United States : 866-473-8442