

## Reversible Double Bowl Fireclay Farmhouse Sink LDL3619W



*reversible design allows customers to choose between flat or detailed side at time of installation*

### FEATURES

Available finishes:

**LDL3619W** White

Reversible design

Fine fireclay material

Standard 3 1/2" drain opening

Compatible with waste disposal units or standard basket strainers

No extended flange needed

No overflow

3 year warranty. See complete warranty for details

Optional cutting board. Available finishes:

**LCB1813A** Ash

**LCB1813N** Walnut

### DIMENSIONS\*

<b>LDL3619W</b>	width	length	height
exterior	<b>36"</b>	<b>19 1/4"</b>	<b>10"</b>
interior	<b>13 1/2" &amp; 20 1/8"</b>	<b>16"</b>	

\* Due to the nature of fireclay products, the given dimensions may vary. We recommend that the cabinet maker wait until the sink is on hand before making any cabinetry or counter tops. While Latoscana endeavors to provide accurate information, all dimensions are nominal, cannot be guaranteed, and are subject to change.

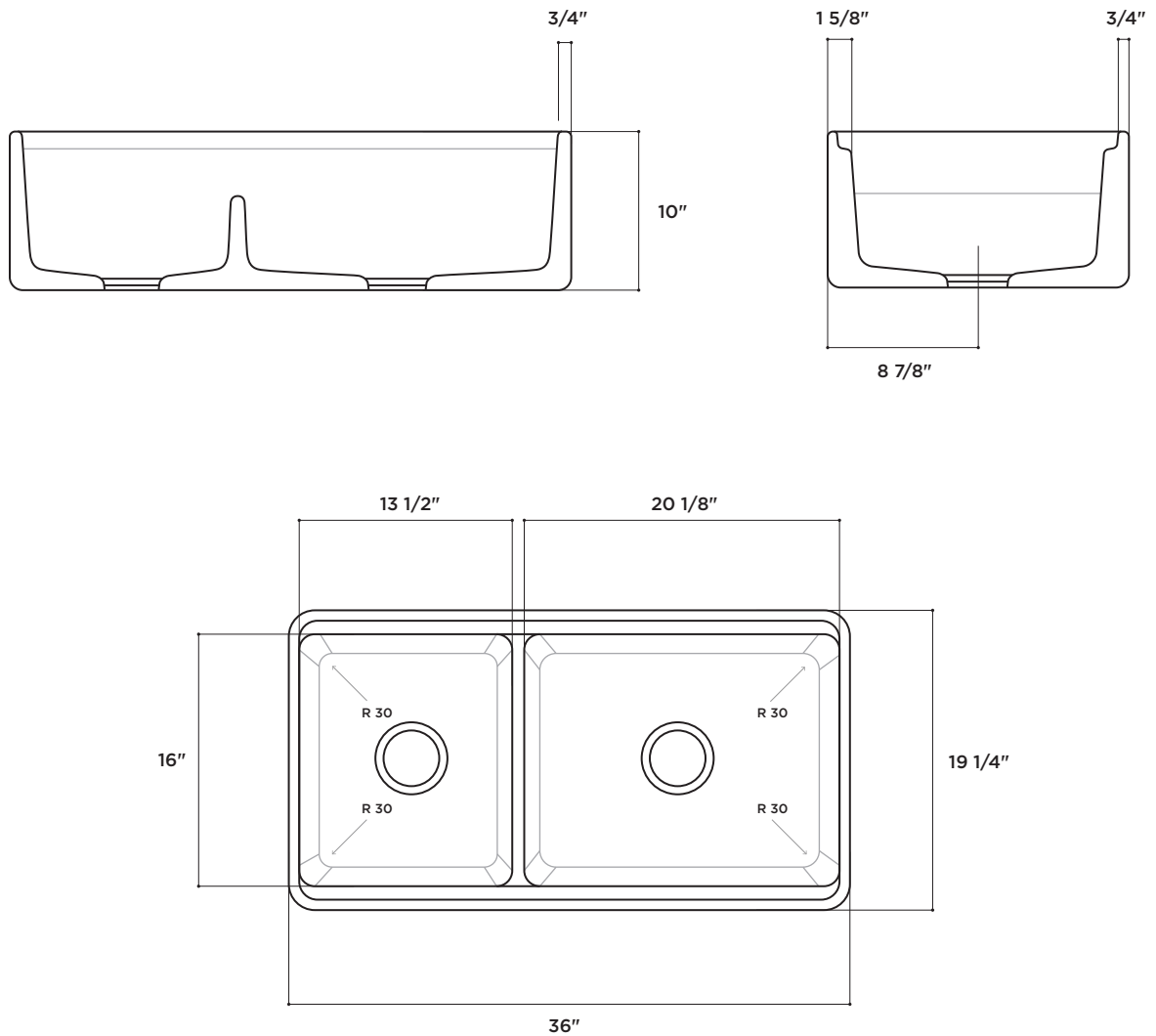


**LATOSCANA**  
*by Pairei*

MADE IN ITALY

---

**Reversible Double Bowl Fireclay Farmhouse Sink  
LDL3619W**



**PLEASE NOTE**

Due to the nature of fireclay products, the given dimensions may vary. We recommend that the cabinet maker wait until the sink is on hand before making any cabinetry or counter tops. While Latoscana endeavors to provide accurate information, all dimensions are nominal, cannot be guaranteed, and are subject to change.