

# Geberit Installation System for 1.6/0.8 GPF (6/3 LPF) Wall-Hung Toilets, 2 x 4 Installations

### Product Specifications

Carrier system and concealed tank with actuator flush panel or pneumatic push button for washdown wall-hung toilets. System shall fit within minimum 3 1/2" (90 mm) framing wall or plumbing chase, with wood construction or steel framing members placed 19 3/4" (500 mm) apart. Framing members should be capable of supporting a 880 pound (400 kg) load without damage to the wall. Water supply shall have flow diameter no smaller than 1/2" (13 mm) copper tube, and a minimum flow pressure of 2 PSI (0.01 MPa). The toilet bowl shall be a third party listed low-consumption 1.6 GPF (6 LPF) or 1.6/0.8 GPF (6/3 LPF) dual-flush 2-hole wall-hung type. The carrier frame shall be adjustable for bowl rim heights from 15" to 19" (381 to 483 mm). Actuator flush panels shall be diecast zinc, molded plastic or fabricated stainless steel and plated to preserve material integrity. All components shall be compliant with applicable codes and product standards.

### Warranty

Limited lifetime warranty on tank and carrier, 10-year warranty on fill valve and flush valve. One-year warranty on actuator flush plates.

### Features

- Water consumption – Dual-flush system allows 1.6/0.8 GPF (6/3 LPF), giving effective flush volume of 1.1 GPF (4 LPF)
- Anti-siphon fill valve
- Impact resistant high density polyethylene (HDPE) tank, insulated to prevent condensation
- 16-gauge, powder-coated, structural-steel tubing rated to 880 lbs. (400 kg) without damage to finished wall or carrier unit
- Bowl rim height adjustments from 15" to 19" (381 to 483 mm)
- 47" (1190 mm) nominal frame height
- For finished walls up to 3 1/2" (9 cm) thick
- Medium inspection opening for Sigma series flush actuator plates
- Includes installation and rough-in materials

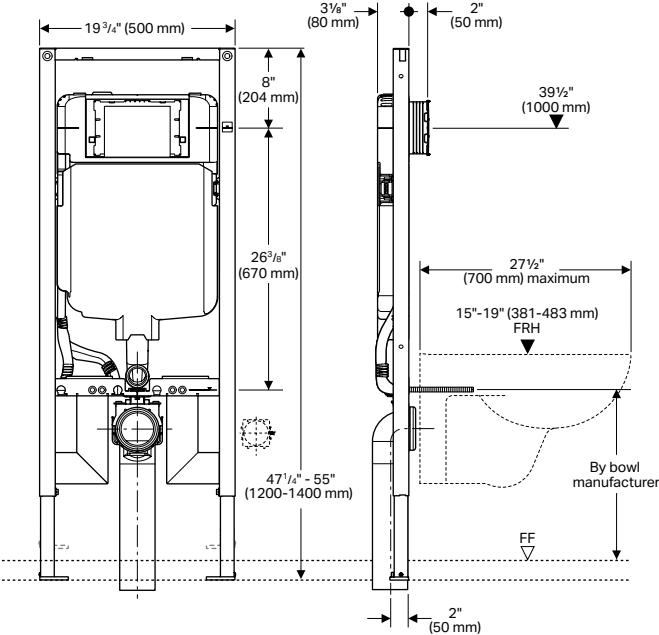
Complies with the latest editions of:

- ASME: A112.6.2, A112.19.5, A112.19.14
- ANSI Z124.4
- CSA B125.3
- ANSI/ASSE 1002
- IAPMO PS-50
- UNAR / UNAR-HET
- ASME A112.19.2
- This concealed tank is WaterSense® compliant when used in combination with the toilet bowl models listed on page 2 of this sheet.
- State of Massachusetts listed

Products marked with comply with the American Disabilities Act (ADA) when installed per the requirements of the latest ADA Accessibility Guidelines (ADAAG) and/or ICC/ANSI A117.1.

Where water closet grab bars are required and corresponding reinforcement provided as outlined in the latest NYC Building Code and Federal FHA Guidelines, the installed product complies both for grab bars installed at the time of initial construction as well as for grab bars planned for future installation.

Model No.	Description
111.798.00.1	Geberit Duofix Carrier with Sigma Concealed Tank, 2 x 4 installations for wall-hung toilets



**ARCHITECT/ENGINEER APPROVAL**

Job Name \_\_\_\_\_

Date \_\_\_\_\_ Quantity \_\_\_\_\_

Model Specified \_\_\_\_\_

Variations Specified \_\_\_\_\_

Customer/Wholesaler \_\_\_\_\_

Contractor \_\_\_\_\_

Architect \_\_\_\_\_

# Geberit Installation System for 1.6/0.8 GPF (6/3 LPF) Wall-Hung Toilets, 2 x 4 Installations

## WaterSense® Compliant EPA High Efficiency Compatible Wall-Hung Toilet Bowl Models

Brand	Model Number*	Model Name
Duravit	256209	Durastyle Basic
	222509	Starck 3
	222609	Starck 3
	252709	Starck 3
Kohler	K-6299	Veil
	K-6300	Veil

Brand	Model Number*	Model Name
Laufen	8.2090.8**	Alessi dOt
	8.2097.8**	Alessi One
	8.2067.1	Form
	8.2066.1	Hi Jet
	8.2033.8	Kartell
	8.2095.0	Laufen Pro
	8.2095.2	Laufen Pro
	8.2096.3**	Laufen Pro S
	8.2096.9	Laufen Pro
	8.2068.0	LB3
	8.2068.8**	LB3
	8.2043.5	Living City
	8.2043.9**	Living
	8.2055.0	Mimo
	8.2094.8	Mylife
	8.2070.8	Palace
	8.2080.1	Palomba
TOTO	CT418FG	Aquia
	CT486FG	Maris

The product combinations listed meet the criteria of the WaterSense Specification for Tank-Type Toilets but are not listed on the WaterSense website at this time.

\*Consult toilet manufacturers for up-to-date model numbers and availability.

\*\*Meets 600 grams MaP performance score according to *Maximum Performance (MaP) of Toilet Fixture list, version 03/25/2017.*

# Geberit Installation System for 1.6/0.8 GPF (6/3 LPF) Wall-Hung Toilets, 2 x 4 Installations

## Other Compatible Wall-hung Toilet Bowl Models

Brand	Model Number*	Model Name	Brand	Model Number*	Model Name	Brand	Model Number*	Model Name
Blu	LW6008	Coco	Duravit	252909	ME by Starck	Laufen	8.2094.8	Mylife
Bathworks	LW6020	Metrix	(continued)	252959	ME by Starck	(continued)	8.2070.8	Palace
	LW6030	Coco		253009	ME by Starck		8.2080.1	Palomba
	LW6030A	Coco		256109	P3 Comforts		8.2080.8	Palomba
Devon	IBWCSBLUES	Blues		256159	P3 Comforts	Neo-Metro	8951	Euro-Urban Contour
& Devon	IBWCSET	Etoile		221909	PuraVida		8957	Metaal
	2IBWCBSSET	Etoile		021009	Starck 1		8952	miniLoo
	IBWCSET	New Etoile		016009	Starck 2	ROCA	346768	Armani
	2IBWCBSSET	New Etoile		253309	Starck 2		346518	Dama Senso
	IBWCSRO	Rose		253359	Starck 2		346468	Giralda
Duravit	018209	1930 Series		253409	Starck 2		346628	Hall
	220509	2nd Floor		220009	Starck 3		346568	Happening
	222009	2nd Floor		220109	Starck 3	Swiss	SM-WT449	Sublime
	017509	Bathroom_Foster		222509	Starck 3	Madison	SM-WT442	St Tropez
	015609	Caro		220209	Starck 3 compact		SM-WT660	Plaisir
	019809	Caro		222709	Starck 3 compact	TOTO	CT418FG	Aquia
	019849	Caro		252709	Starck 3		CT486FG	Maris
	221109	D-Code		222609	Starck 3	Tynan	7531.XX	Aine
	253509	D-Code		222659	Starck 3	Plumbing	7532.XX	Fionn
	220909	D-Code		220309	Starck 3 extra long	Villeroy	6612-YY-XX	Aveo
	222309	D-Code		220609	Starck 3	& Boch	4684-YY-XX	Architectura
	020709	Darling		221509	Starck 3		4688-YY-XX**	Architectura EL ADA
	254509	Darling New		220409	Starck X		5664-YY-XX	Bellevue
	255709	Darling New		221709	Vero		6653-YY-XX	Century
	254409	Darling New	DXV	47010-11	Seagram		6665-YY-XX	Editorials
	254459	Darling New	Icera	C-6610	Clarity		6661-10-XX	Hommage
	256309	Darling New		C-2340	Metro Loft		5627-YY-XX	La Belle
	256359	Darling New		C-2370	Piano		7631-YY-XX	Magnum
	253609	DuraStyle	Kallista	P70361-00	Pléo		5628-YY-XX	Memento
	253709	DuraStyle	Kohler	K-6299	Veil		6664-YY-XX	Oblic
	253809	DuraStyle		K-6300	Veil for Bidet Seat		5684-YY-XX	Omnia Architectura
	253909	DuraStyle	Lacava	5458	Aquagrande		5674-YY-XX	Omnia Architectura
	254009	DuraStyle		5051WC	Giulia		5678-YY-XX	Omnia Architectura Vita
	254109	DuraStyle		4278	Piazza		5670-YY-XX	Pure Stone
	253759	Durastyle		6058	Suave		5622-YY-XX	Sentique
	254209	DuraStyle		2958	Tre		6661-YY-XX	Strada
	254259	DuraStyle	Laufen	8.2090.0	Alessi dOt		4609-YY-XX	Subway
	255109	DuraStyle		8.2090.8**	Alessi dOt		6600-YY-XX	Subway
	255209	DuraStyle		8.2097.6**	Alessi One		5600-YY-XX	Subway
	255909	DuraStyle		8.2097.8**	Alessi One		5614-YY-XX	Subway
	256209	DuraStyle Basic		8.2067.1	Form			
	255409	Esplanade		8.2066.1	Hi Jet			
	017109	Happy D		8.2033.8	Kartell			
	222109	Happy D.2		8.2033.6	Kartell			
	222209	Happy D.2		8.2033.1	Kartell			
	255009	Happy D.2		8.2095.0	Laufen Pro			
	255059	Happy D.2		8.2096.9	Laufen Pro			
				8.2095.6	Laufen Pro			
				8.2095.2	Laufen Pro Compact			
				8.2096.2	Laufen Pro S			
				8.2096.3**	Laufen Pro S			
				8.2068.0	LB3			
				8.2068.8**	LB3			
				8.2043.5	Living			
				8.2043.9**	Living			
				8.2055.0	Mimo			

\*Consult toilet manufacturers for up-to-date model numbers and availability.

\*\*Meets 600 grams MaP performance score according to Maximum Performance (MaP) of Toilet Fixture list, version 03/25/2017.

**Geberit**  
2100 S. Clearwater Drive  
Des Plaines, IL 60018  
USA

P 800-566-2100  
F 847-803-5454

→ [geberit.us](http://geberit.us)