



California Faucets®

DAVOLI™

MAIN KITCHEN FAUCET

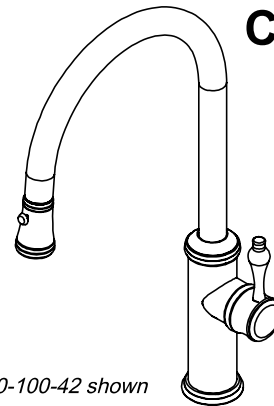
Features

- Solid brass construction
- High-arc 360° rotating spout allows for easy filling of large pots and cleaning
- Magnetic docking secures sprayhead into spout
- One button brass sprayhead has dual function aerated or spray mode
- Spray jets have easy-to-clean surface that withstand mineral build-up
- Quiet polymer-braided hose with rotating joint at sprayhead allows for smooth and non-binding use
- Ceramic disc cartridge
- 1.8 gpm (6.8 L/min) max flow rate
- Over 30 finishes including 15 PVD finishes

Codes/Standards Applicable

Meets or exceeds the following at date of manufacture:

- ASME A112.18.1/CSA B125.1
- NSF 61 and NSF 372



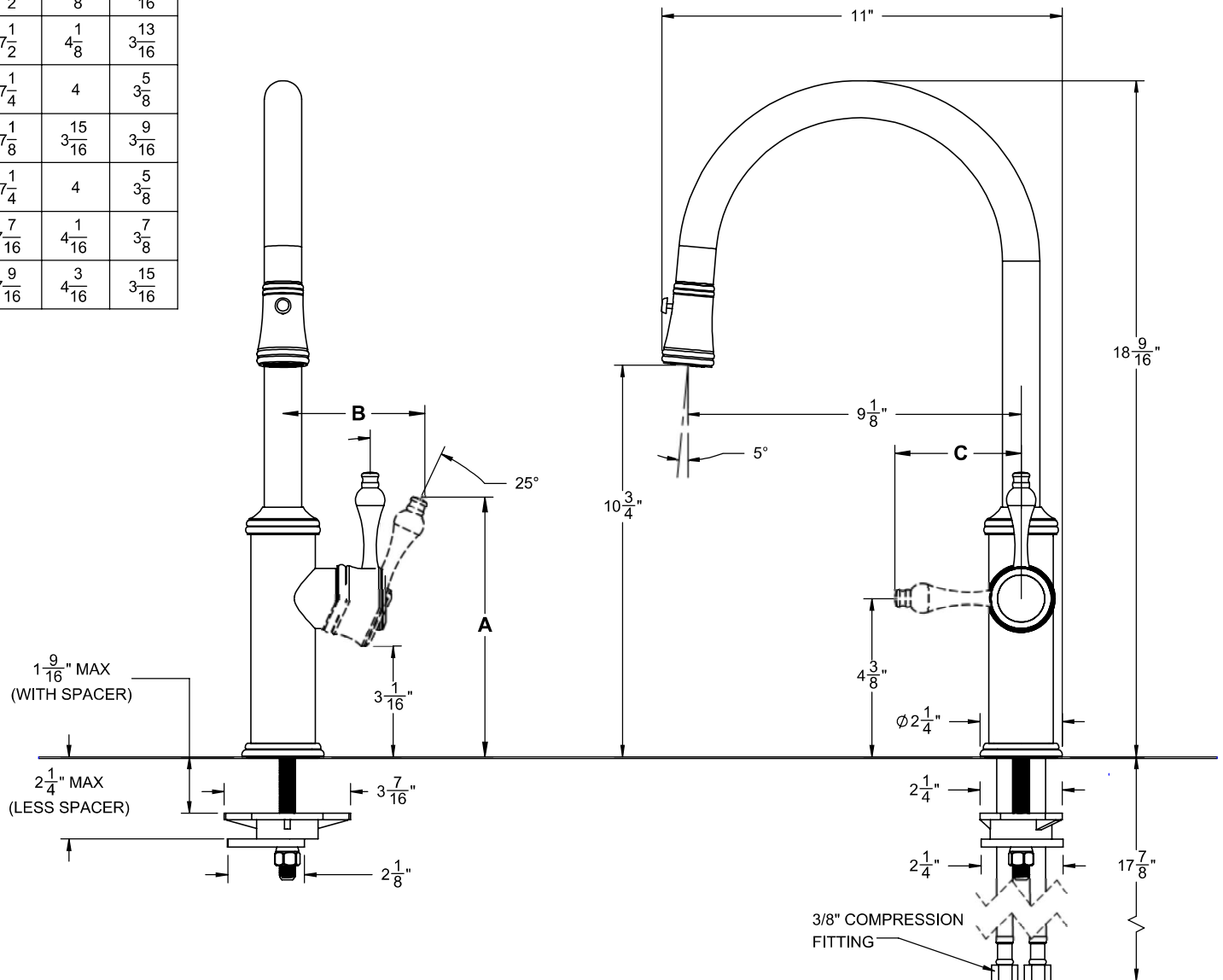
CF-K10-100-XX

CF-K10-100-42 shown

XX = DENOTES HANDLE STYLE

DIMENSIONS (in.)			
XX HANDLE	A	B	C
33	7 1/2	1 4/8	3 13/16
35	7 1/2	1 4/8	3 13/16
40	7 1/4	4	5 3/8
42	7 7/8	15 3/16	3 9/16
55	7 1/4	4	5 3/8
64	7 7/16	4 1/16	7 3/8
CLEV	9 7/16	3 4/16	15 3/16

THROUGH-HOLE SPECIFICATIONS		
MIN	RECOMENDED	MAX
Ø 1-1/4"	Ø 1-3/8"	Ø 1-3/8"



ALL DIMENSIONS SHOWN TO NEAREST 1/16"