

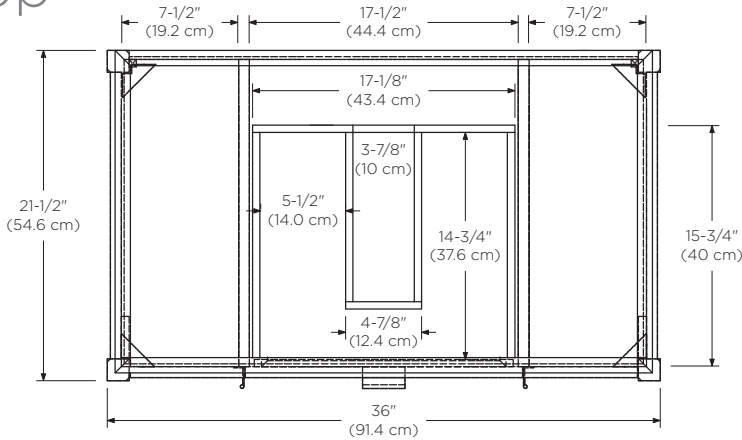
Model : 057036

- Features :**
- 2 trapezoid shaped side doors with Hettich brand hardware
 - 2 wooden shelves
 - 1 full extension soft close square center drawer with Hettich brand hardware
 - 1 full extension soft close trapezoid shaped lower drawer with Hettich brand hardware
 - Brushed metal inlay detail on doors and drawers
 - Solid wood drawer box construction with dovetail construction
 - Fully finished interiors
 - Solid wood construction (no MDF)
 - Multi-step polyurethane finish resists moisture and scratches
 - U.S. PATENT PENDING

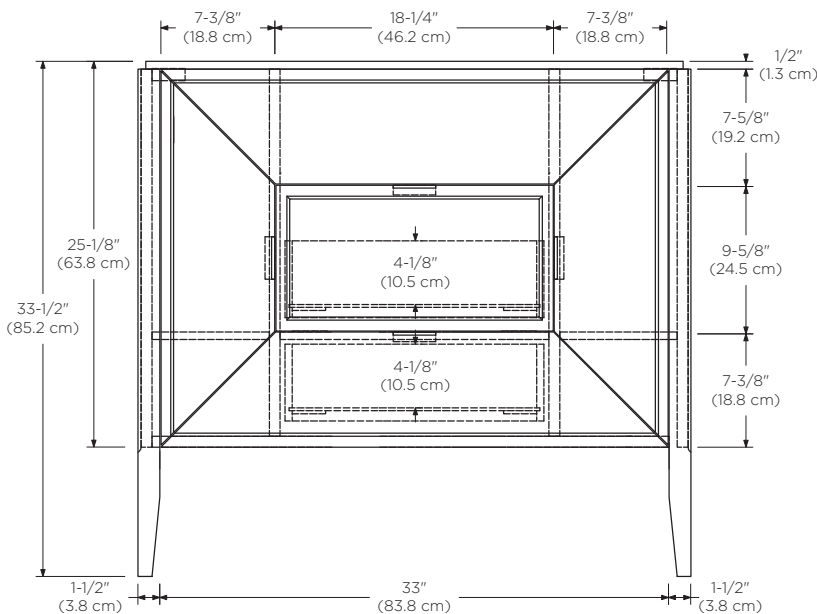
All Ronbow cabinets are made of solid hardwood or hardwood plywood and meet strict CARB II Standards. No particle board or Micro-Density Fiberboard (MDF) are used.

Available Finishes: Navy (F22) with Brushed Brass metal inlay
 Oak Toscana (E82) with Brushed Nickel metal inlay
 White (W01) with Brushed Nickel metal inlay

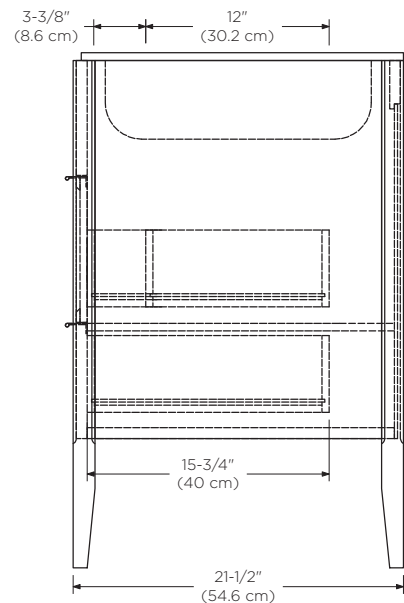
Top



Front



Side



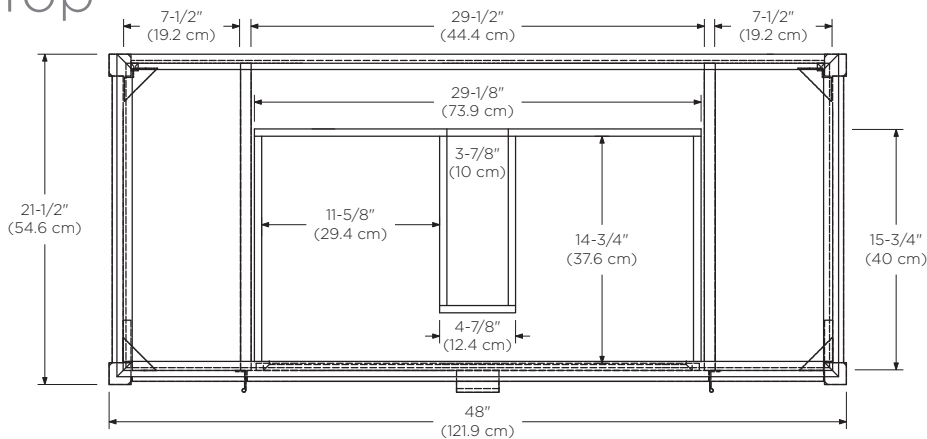
Model : 057048

- Features :**
- 2 trapezoid shaped side doors with Hettich brand hardware
 - 2 wooden shelves
 - 1 full extension soft close square center drawer with Hettich brand hardware
 - 1 full extension soft close trapezoid shaped lower drawer with Hettich brand hardware
 - Brushed metal inlay detail on doors and drawers
 - Solid wood drawer box construction with dovetail construction
 - Fully finished interiors
 - Solid wood construction (no MDF)
 - Multi-step polyurethane finish resists moisture and scratches
 - U.S. PATENT PENDING

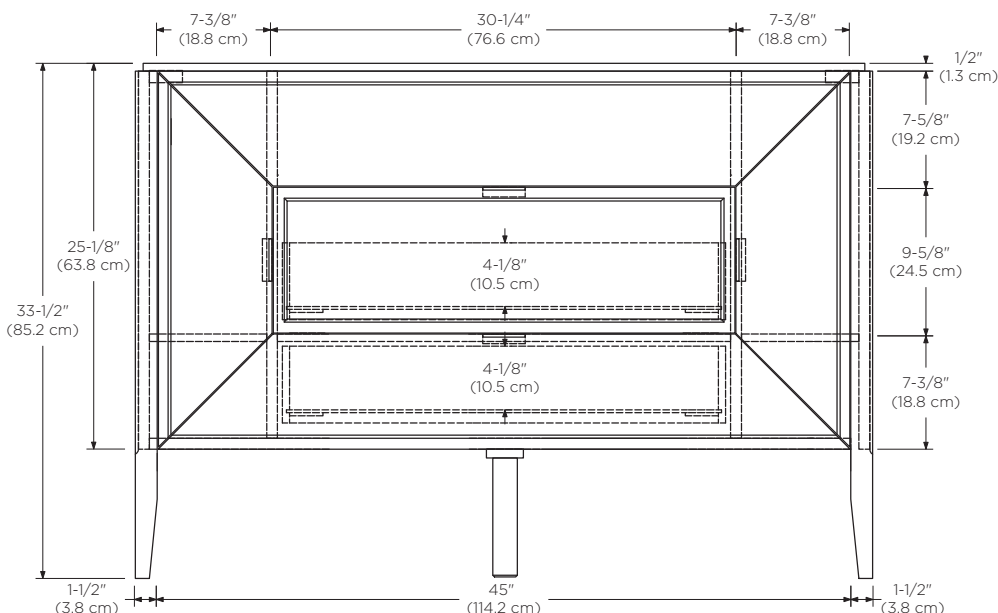
All Ronbow cabinets are made of solid hardwood or hardwood plywood and meet strict CARB II Standards. No particle board or Micro-Density Fiberboard (MDF) are used.

Available Finishes: Navy (F22) with Brushed Brass metal inlay
 Oak Toscana (E82) with Brushed Nickel metal inlay
 White (W01) with Brushed Nickel metal inlay

Top



Front



Side

