

Talis S
Prep Kitchen Faucet, 2-Spray Pull-Down, 1.75 GPM
 Finishes : **chrome** Part no. : **72815001**



Description

Features

- Swivel range 110° / 150°
- Laminar and needle spray
- Toggle spray diverter
- MagFit magnetic sprayhead docking
- Flow: 1.75 GPM (6.6 L/min)
- 3/8" hoses

Item details

List Price \$ 510.00

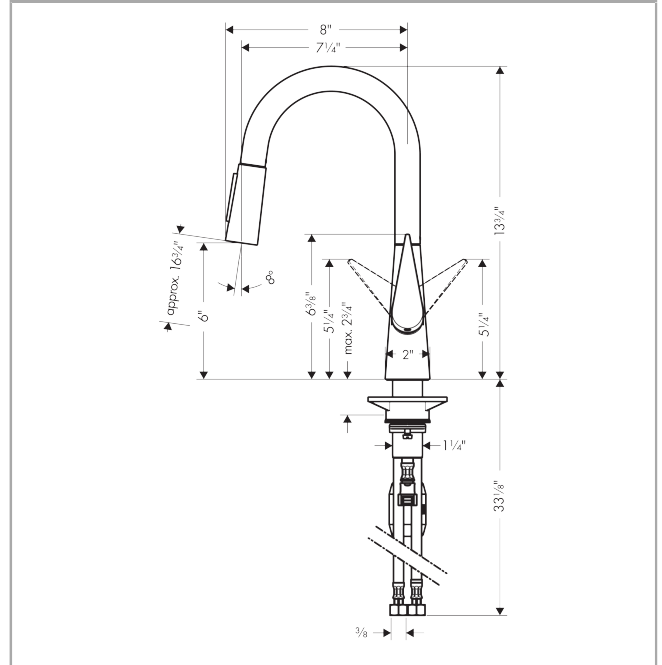
Compliance



Product image



Scale drawing

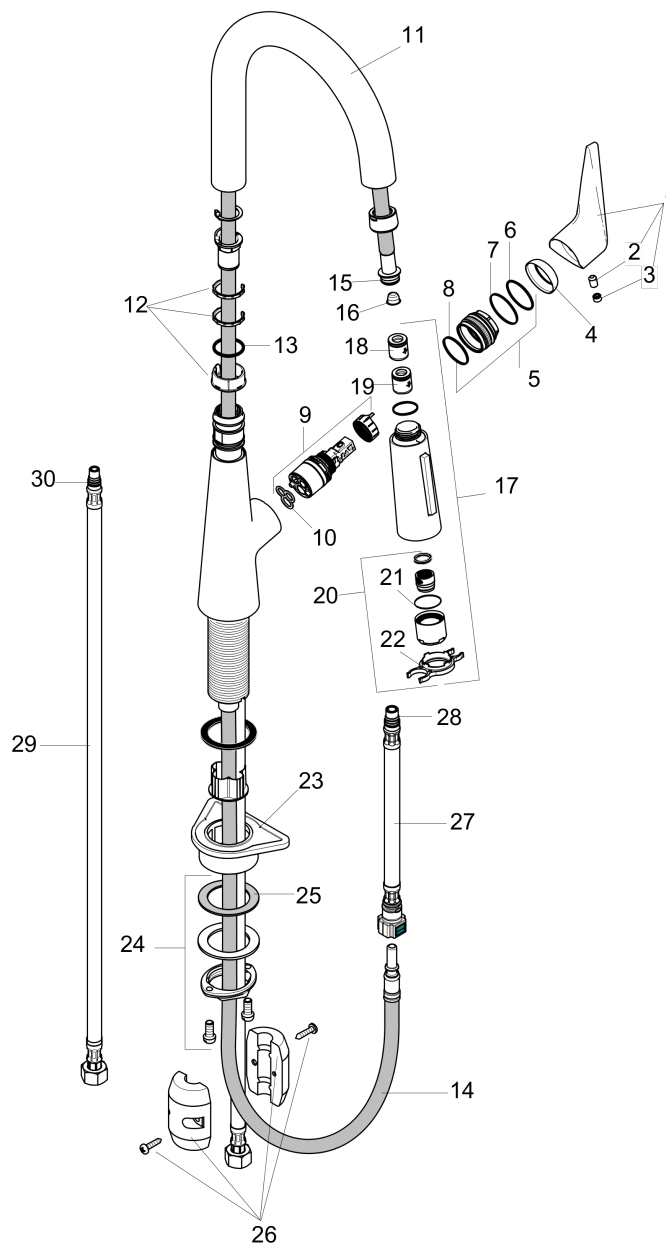


Talis S
Prep Kitchen Faucet, 2-Spray Pull-Down, 1.75 GPM
Finishes : **chrome** Part no. : **72815001**



Exploded drawing

Year of production: >01/18



Talis S

Prep Kitchen Faucet, 2-Spray Pull-Down, 1.75 GPM

Finishes : **chrome** Part no. : **72815001**



Spare parts list

Year of production: >01/18

| Pos. | Description | Part no. | Price | PU |
|------|-----------------------------------|----------|-------|----|
| 1 | handle | 93148000 | - | 1 |
| 2 | hollow set screw M6x10 DIN 916 | 96029000 | - | 1 |
| 3 | screw cover | 95704000 | - | 1 |
| 4 | flange | 95493000 | - | 1 |
| 5 | nut | 98864000 | - | 1 |
| 6 | O-ring 23x2 | 98398000 | - | 1 |
| 7 | O-ring 27x1,5 | 92527000 | - | 1 |
| 8 | O-ring 25x1,5 | 98146000 | - | 1 |
| 9 | cartridge, assy | 97685000 | - | 1 |
| 10 | seal | 98865000 | - | 1 |
| 11 | spout cpl. | 93159000 | - | 1 |
| 12 | set of lever collars | 98365000 | - | 1 |
| 13 | O-ring 21x2,5 | 98211000 | - | 1 |
| 14 | hose 1,25 m | 95506000 | - | 1 |
| 15 | O-ring 11x2 | 98127000 | - | 1 |
| 16 | filter | 97735000 | - | 1 |
| 17 | handspray | 92732000 | - | 1 |
| 18 | non return valve | 93218000 | - | 1 |
| 19 | set of non return valves DW 15 | 94074000 | - | 1 |
| 20 | aerator laminar M22x1 (15 l/min) | 95909000 | - | 1 |
| 21 | O-ring 20x1 | 98140000 | - | 1 |
| 22 | service tool | 95910000 | - | 1 |
| 23 | support | 97523000 | - | 1 |
| 24 | fixing set (Ø 34) | 95049000 | - | 1 |
| 25 | lever collar | 97548000 | - | 1 |
| 26 | weight | 98551000 | - | 1 |
| 27 | connection hose 600 mm M10x1 | 95561000 | - | 1 |
| 28 | O-ring 8x1,75 | 97827000 | - | 1 |
| 29 | connection hose 35½" M8x0,75 3/8" | 96316001 | - | 1 |
| 30 | O-ring 7x1,5 | 98422000 | - | 1 |