

**ATHERTON  
55" CAST IRON  
ROLL TOP TUB**

Cat. No.  
CTRH55



L: 54 1/2"  
W: 30 1/4"  
H: 24" (from floor to top of tub)

Water depth: 12" to overflow

**The following is recommended for CTRH55 tubs:**

- Tub wall-mounted faucets or hand-held showers: part #4022, 4025 or 4035
- Tub wall-mounted faucets for use with risers: part #4001, 4013, 4023, 4030, 4031
- Double offset bath supplies: part #5576
- Leg tub drain: part #5599
- Complete shower unit: Part #4124 or 4143

Gallon Capacity:	29
Shipping Weight:	380 lbs.
Empty Weight:	200 lbs.
Filled Weight:	442 lbs.

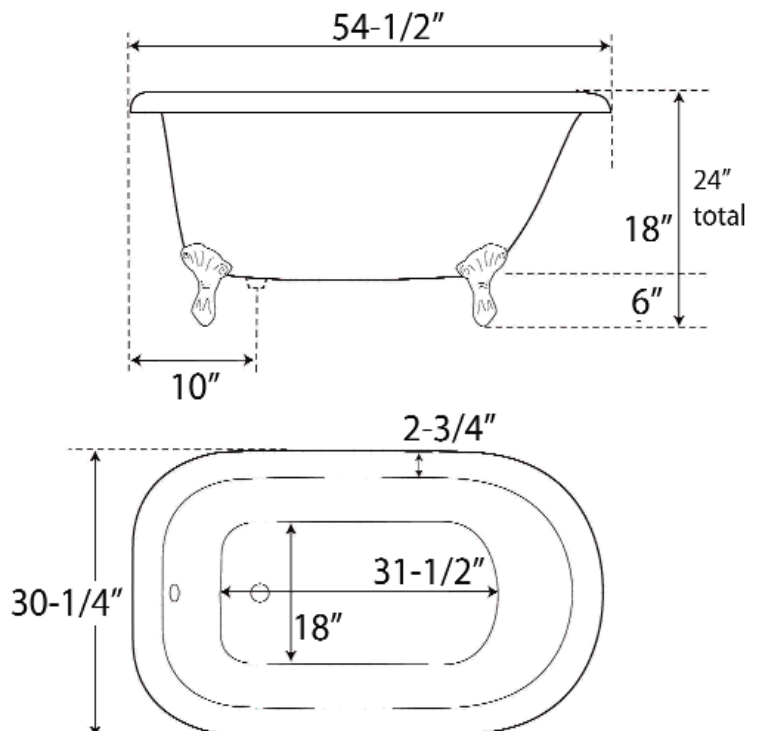
**Features:**

- ▶ Inside finish is white enamel
- ▶ Ball and claw feet available in 5 finishes
- ▶ Tub exterior is white (epoxy)
- ▶ 3-3/8" centers in tub wall
- ▶ Feet are attached and leveled before shipment
- ▶ Tub is thoroughly inspected before shipment

**Foot Finishes:**

<b>BP</b> Polished Brass	<b>SN</b> Brushed Nickel
<b>CP</b> Polished Chrome	<b>WH</b> White
<b>ORB</b> Oil-rubbed Bronze	

**Extra Paint Charge** (inside of tub is always white enamel):  
**Bisque Paint** - \$160                      **Black Paint** - \$160  
 Bathtubs painted in bisque or black are considered "special order" and are not returnable.



Dimensions of fixture are nominal and may vary within the range of tolerances established by ANSI Standard A112.19.2. Dimensions and specifications subject to change without notice.