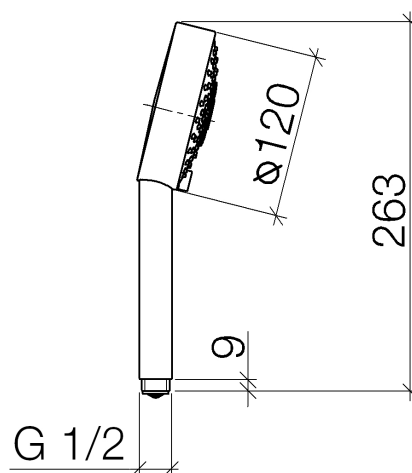




Product specifications

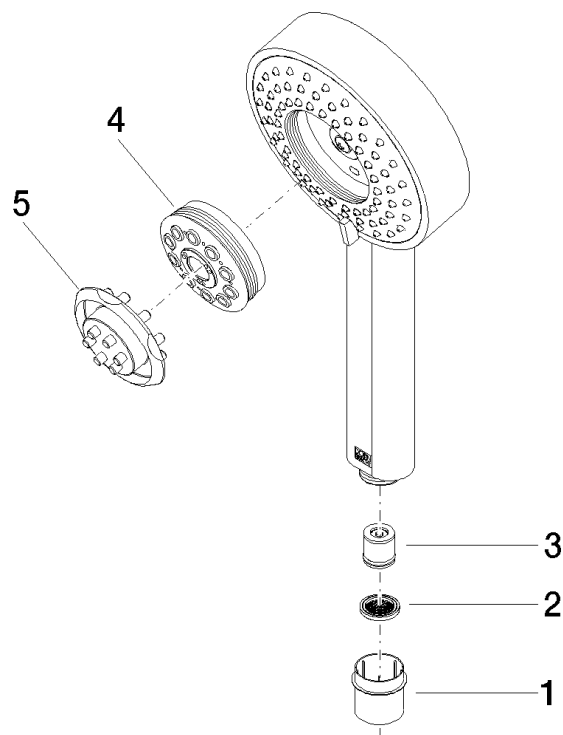
- Descaling system
- Water flow rate limited to max. 2 gpm
- 1/2" connection
- Diameter 4 3/4"
- With three settings (normal stream, soft stream, massage stream)



Surfaces

- | | |
|-----------------|-------------|
| • chrome | 28011979-00 |
| • matt platinum | 28011979-06 |

Exploded assembly drawing



Order quantity

No.	Article number	Name	Installation quantity
1	09210211590	cap	1
2	09230103990	insert	1
3	09230107790	flow reducer	1
4	0412110710090	shower	1
5	09300902290	key	1

