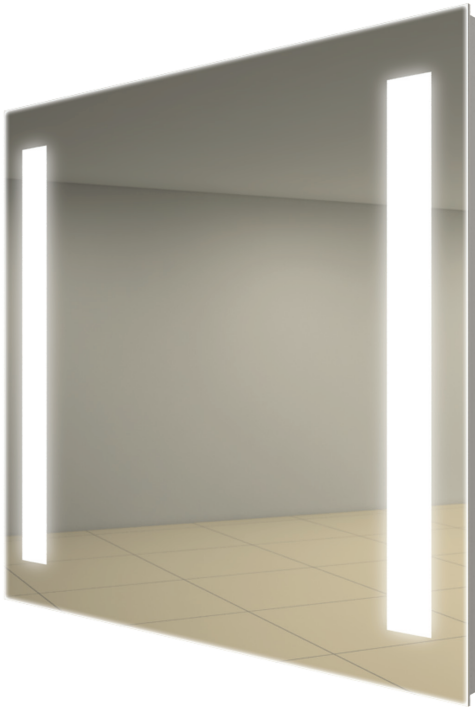


FUSION™ LIGHTED MIRROR

Residential Performance Specification



The Fusion™ Lighted Mirror embodies modern innovation, clean lines, and efficient natural lighting.

FEATURES

- Elife™-8 Years extended lamp replacement cycle
- EnergyLite™-Half the energy with equal light output*
- Natural light color ideal for makeup application
- HardCoat™ anti-corrosion mirror treatment
- Rust resistant powder coated metal construction
- Environmentally sustainable and energy efficient
- Proudly made in the USA
- Stainless steel hanger
- Welded Construction

LIGHTING

- Low-Mercury T5HO warm fluorescent (US Made)
- CRI 85
- CCT (K) 3000
- Average lamp life of 35,000 hours
- 50,000 cycle ballast

OPTIONS

- Diamond Clear™ extra white mirror
- Dimmable - Separate wall control required
- Defogger
- Add Frame (See Reflection™ Lighted Mirror)
- Add TV (See Fusion™ Lighted Mirror TV)

SAFETY

- Tested to UL/UL-C 1598 including section 16.23
- International Certifications
- Safety backed mirror

THERE'S ONLY ONE ELECTRIC MIRROR™

Electric Mirror is the global leader in lighted mirrors and Mirror TV™ technology. With unparalleled customer service and amazing innovation, Electric Mirror is the standard of luxury for five-star hotels, upscale commercial projects and designer homes.

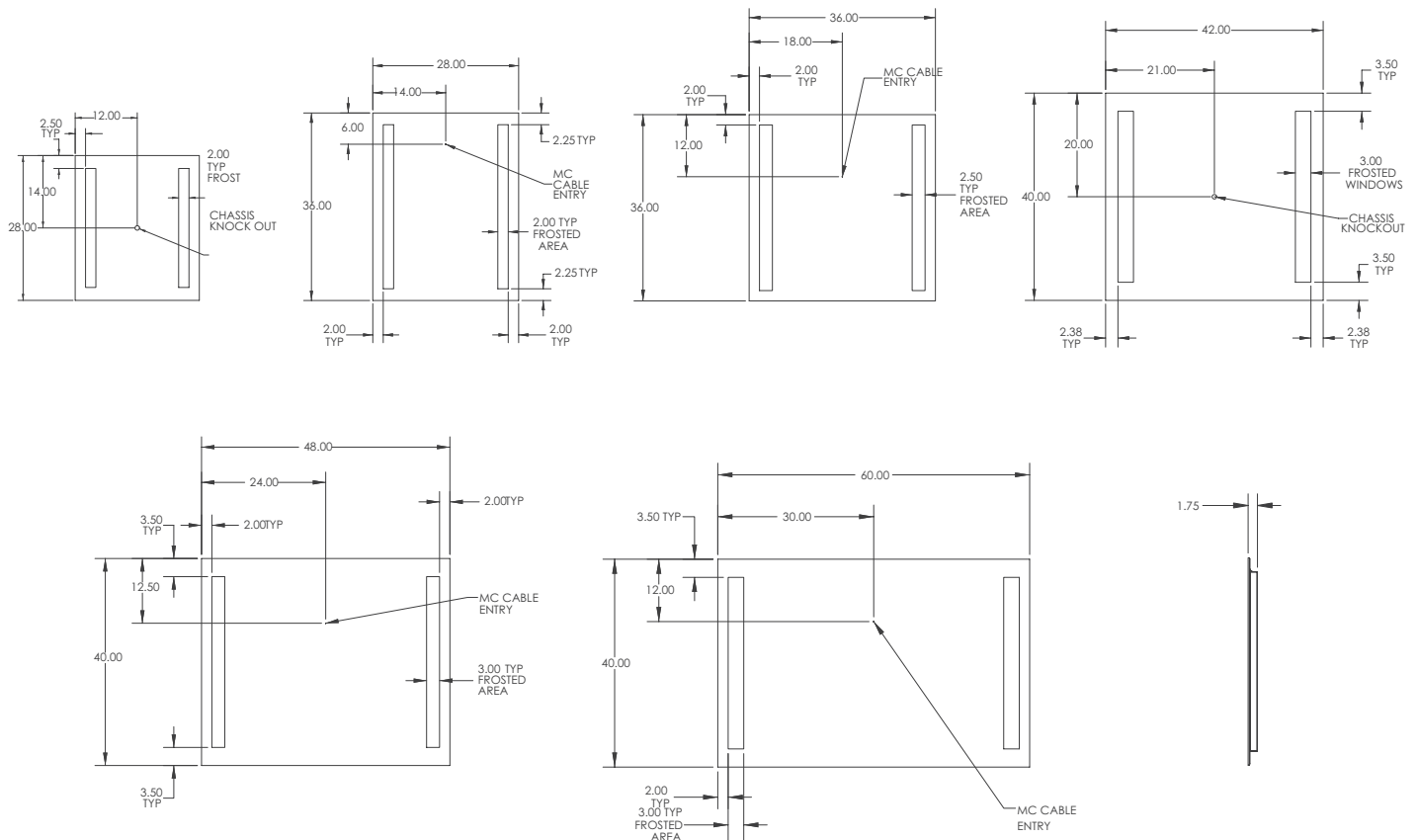
FUSION™ LIGHTED MIRROR

Residential Performance Specification

SPECIFICATION

- The top of the lighted mirror above the bathroom vanity should be a minimum of 6' 6" above the finished floor.
- Electrical connections made with MC cable brought through the chassis knockout, no electrical box required.
- Electrical power should be controlled by a light switch.
- Fixture should be mounted to wall studs to provide sufficient support. Mounting holes are provided in the chassis.

MODEL NUMBER	DIMENSIONS	POWER REQUIREMENTS	LAMPING
FUS-24.00x28.00	24" W x 28" H x 1.75" D 610mm x 711mm x 44.5mm D	120 - 277 VAC, .40 - .17 Amps, 48W	2 x T5HO, 24W
FUS-28.00x36.00	28" W x 36" H x 1.75" D 711mm x 914mm x 44.5mm D	120 - 277 VAC, .65 - .28 Amps, 78W	2 x T5HO, 39W
FUS-36.00x36.00	36" W x 36" H x 1.75" D 914mm x 914mm x 44.5mm D	120 - 277 VAC, .70 - .28 Amps, 78W	2 x T5HO, 39W
FUS-42.00x40.00	42" W x 40" H x 1.75" D 1,067mm x 1,016mm x 44.5mm D	120 - 277 VAC, .70 - .28 Amps, 78W	2 x T5HO, 39W
FUS-48.00x40.00	48" W x 40" H x 1.75" D 1,219mm x 1,016mm x 44.5mm D	120 - 277 VAC, .70 - .28 Amps, 78W	2 x T5HO, 39W
FUS-60.00x40.00	60" W x 40" H x 1.75" D 1,524mm x 1,016mm x 44.5mm D	120 - 277 VAC, .70 - .28 Amps, 78W	2 x T5HO, 39W



PROPRIETARY AND CONFIDENTIAL: The information contained in this specification is the sole property of Electric Mirror®. Any reproduction in part or in whole without written permission from Electric Mirror® is prohibited.

© 2012 ELECTRIC MIRROR®