

## ETERNITY™ LIGHTED MIRROR

*Hospitality Performance Specification*



The Eternity™ Lighted Mirror illuminates the powder room with balanced circular lighting that draws the eye towards its elegant framing.

### THERE'S ONLY ONE ELECTRIC MIRROR™

Electric Mirror is the global leader in lighted mirrors and Mirror TV technology. With unparalleled customer service and amazing innovation, Electric Mirror is the standard of luxury for five-star hotels, upscale commercial projects and designer homes.

#### FEATURES

- Elife™—8 Years extended lamp replacement cycle
- Natural light color ideal for makeup application
- HardCoat™ anti-corrosion mirror treatment
- Rust resistant powder coated metal construction
- Environmentally sustainable and energy efficient
- Proudly made in the USA
- Patent Pending
- Wall Glow
- Stainless steel hanger
- Welded Construction

#### LIGHTING

- Low-Mercury T5HO warm fluorescent (US Made)
- CRI 85
- CCT (K) 3000
- Average lamp life of 20,000 hours for Circline lamps and T5HO
- 50,000 cycle ballast
- Lamps can be seen from the sides of mirror

#### OPTIONS

- Diamond Clear™ extra white mirror
- Defogger (Not available on the Eternity™ 30" and 21" x 30")
- Add TV (See Eternity™ Lighted Mirror TV)
- Custom Sizes
- Glass Shelf
- LED Digital Clock
- LED Lighting
- Enclosed Chassis
- Plastic diffuser available for 30" and 42" sizes

#### SAFETY

- Tested to UL/UL-C 1598 including section 16.23 (adhesive support test)
- International Certifications
- Safety backed mirror

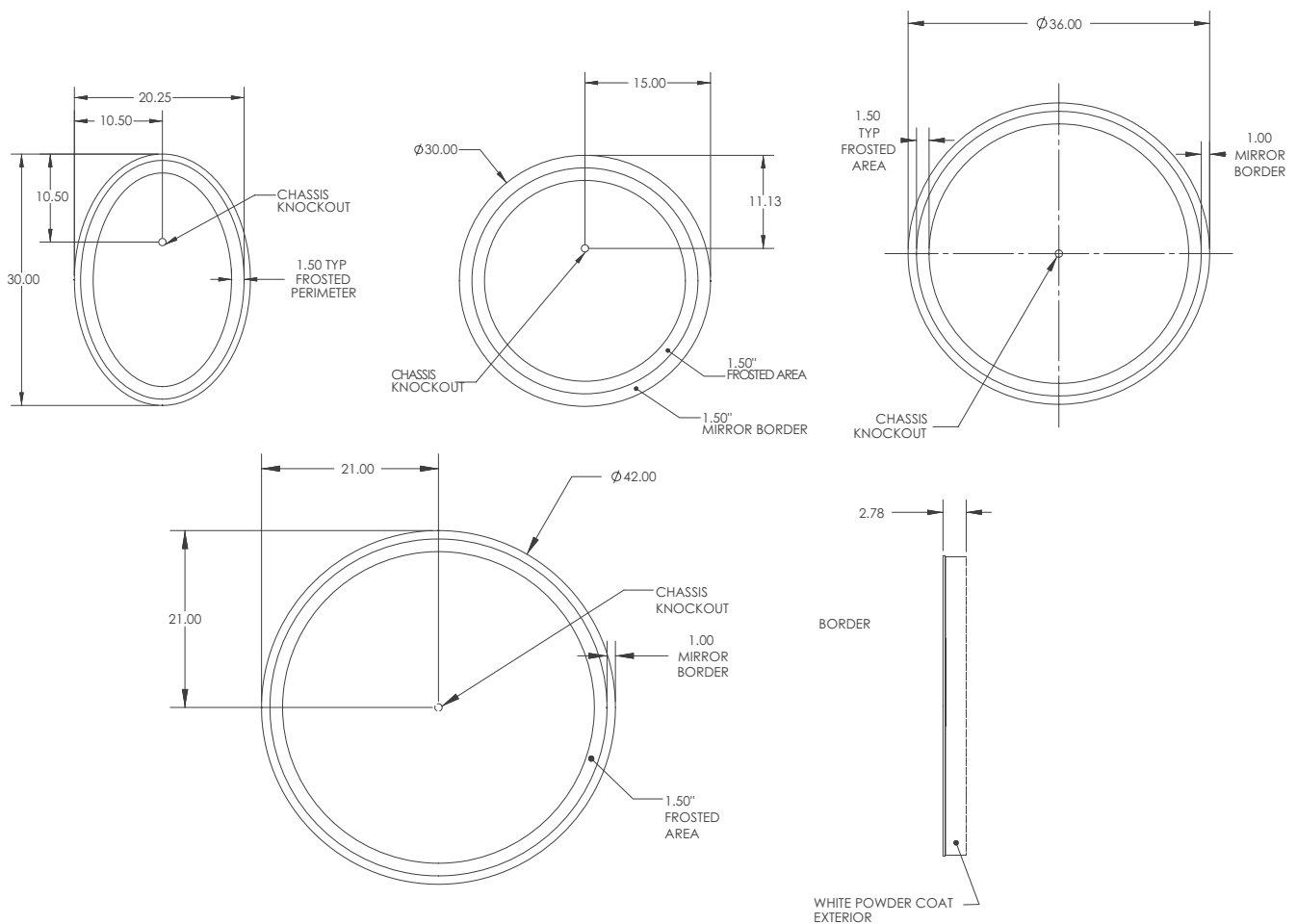
## ETERNITY™ LIGHTED MIRROR

Hospitality Performance Specification

### SPECIFICATION

- The top of the lighted mirror above the bathroom vanity should be a minimum of 6' 6" above the finished floor.
- Electrical connections made with MC cable brought through the chassis knockout, no electrical box required.
- Electrical power should be controlled by a light switch.
- Fixture should be mounted to wall studs to provide sufficient support. Mounting holes are provided in the chassis.

MODEL NUMBER	DIMENSIONS	POWER REQUIREMENTS	LAMPING
ETE-21.00x30.00	21" W x 30" H oval x 2.5" D 533mm x 762mm x 63.5mm	120/277 VAC, .92/.40 Amps, 110W	2 x Circline T5, 55W
ETE-30.00	30" diameter x 2.5" D 762mm diameter x 63.5mm	120/277 VAC, 1.0/.40 Amps, 110W	2 x Circline T5, 55W
ETE-36.00	36" diameter x 2.75" D 914mm diameter x 70mm	120/277 VAC, 1.5/.65 Amps, 180W	5 x T5HO, 36W
ETE-42.00	42" diameter x 2.75" D 1,067mm diameter x 70mm	120/277 VAC, 1.5/.65 Amps, 180W	5 x T5HO, 36W



**PROPRIETARY AND CONFIDENTIAL:** The information contained in this specification is the sole property of Electric Mirror®. Any reproduction in part or in whole without written permission from Electric Mirror® is prohibited.

© 2012 ELECTRIC MIRROR®