

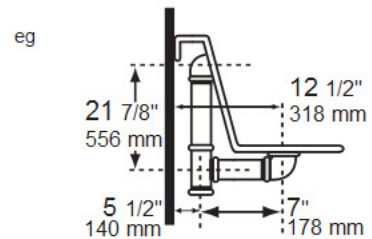
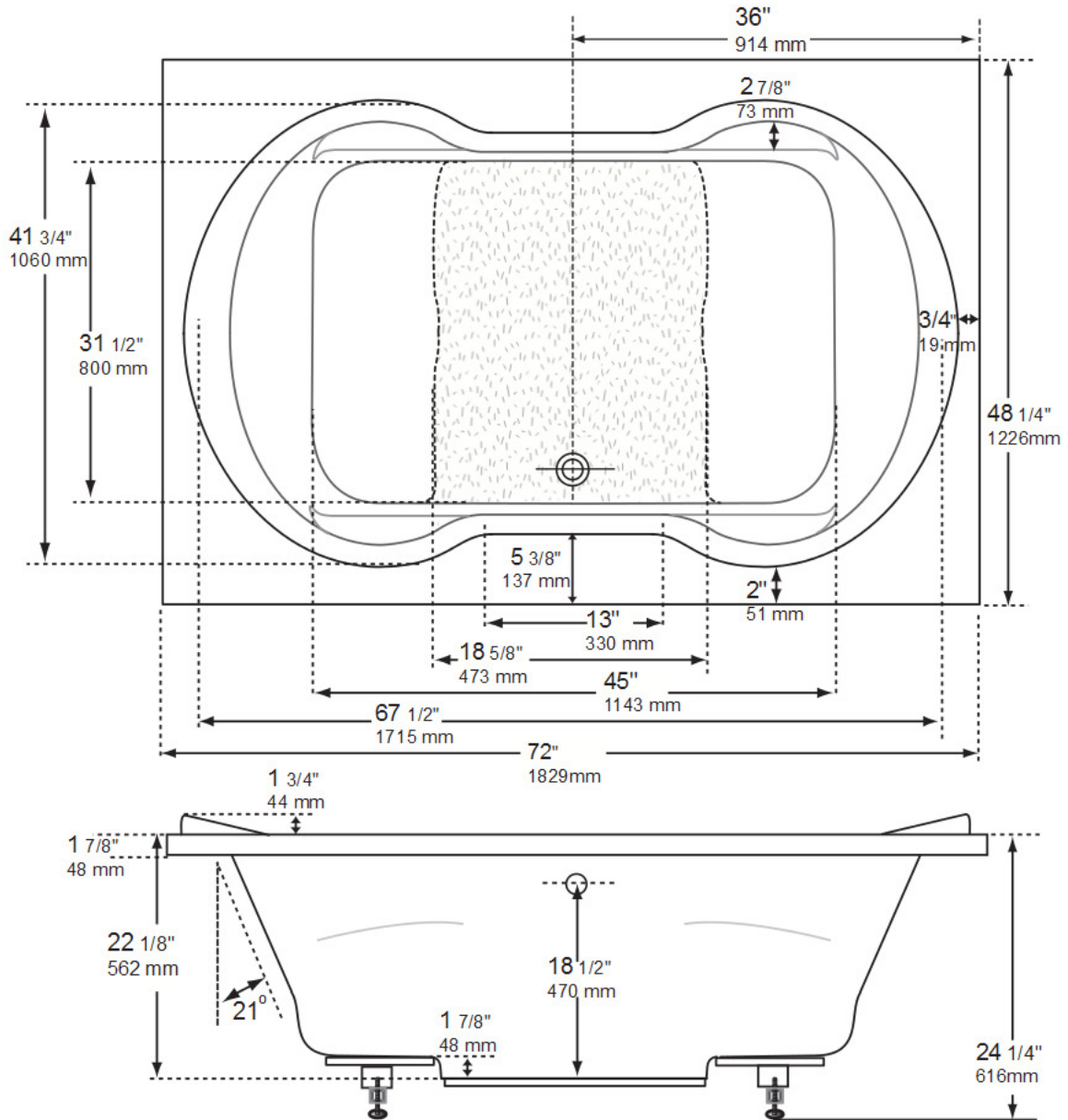
TIFFANY

SPECIFICATION DOCUMENTS

Acryline
spa baths



SHOWN WITH RAISED SEAT



NOTE: All published dimensions are for reference only. Acryline accepts a 1/4" (0.64 cm) variance. Technical specifications are subject to change when product improvements are performed. All critical dimensions required for installation should be taken directly on the unit being installed.

TIFFANY - TECHNICAL SPECIFICATION

ENCORE COLLECTION	STATISTICS	CONFIGURATIONS
True Drain Channel 73 Air Portals - Intermediate to vigorous massage	Size: 72"L x 48 1/4"W x 24 1/4"H	Heated Head/Neck Rest: 2 (with air system baths)
Injection Air 14 Injectors - light massage to intermediate massage	Capacity: 86 US Gal 326 Litres	Armrests: 0 or 4
Ultimate Combination - 73 Air Portals + 14 Injectors Light to Highly vigorous massage	No. of Bathers: 2	Raised Seats: 0 or 2
	Lumbar Support: 2	Reveal: N/A
	Water Depth: 18 1/2"	Applications: Drop-in
		Waterfall Fill Spout: With or Without

CLASSIC COLLECTION
Classic True Drain Channel 73 Air Portals - Intermediate to vigorous massage
Soaker Bath

STANDARD FEATURES
Available in White or Biscuit
1Hp heated blower motor(s) with silencer (1 per system)
Rectangular Backlight Deluxe Keypad (Encore Collection)
Wave and Pulse (Encore Collection)
Rectangular 3 speed Keypad (Classic Collection)
Built in 20 min. timer.
Auto-purge Cycle

OPTIONAL FEATURES
Chromatherapy Lights: 2 or 4 LED
Grab Bars: Quantity - 1 or 2 Size - 8 or 12 inch
Tiling Flange: N/A
Apron: N/A
Relocation Kits / Extension Wires: Up to 12 ft.
Non-Standard Colors: Consult factory for availability
Waste & Overflow: Available in white Chrome or Brushed Nickel
Remote Control: Replaces Backlight Deluxe Keypad (Encore Collection only)
Faucets: Solo Wallmount Tub Filler With Handshower (Chrome)

STANDARDS

ANSI Z124.1 / CSA B45.5-02, CSA B45.0-02, UL1795 Third Edition, Rev. Sept.2006 CSA C22.2 No.218.2-93 (R2004)ASME A112.19.7

ELECTRICAL REQUIREMENTS

Single system baths require a dedicated 15A, 120V, circuit protected by a ground fault circuit interrupter. (GFCI)
Ultimate Combination system baths require 2 dedicated 15A, 120V, circuits protected by a ground fault circuit interrupter. (GFCI) Always consult local electrical code for requirements

NOTES

All published dimensions are for reference only. Acryline accepts a 1/4"(0.64 cm) variance. Technical specifications are subject to change when product improvements are performed. All critical dimensions required for installation should be taken directly on the unit being installed.

WARRANTY*

Encore Collection: Acrylic: **20 Years** // Blower motor(s): **5 Years** // Control(s): **2 Years** **Classic Collection:** Acrylic: **5 Years** // Blower motor(s): **1 Year** // Control(s): **1 Year**

* Some restrictions apply. Copy available upon request.

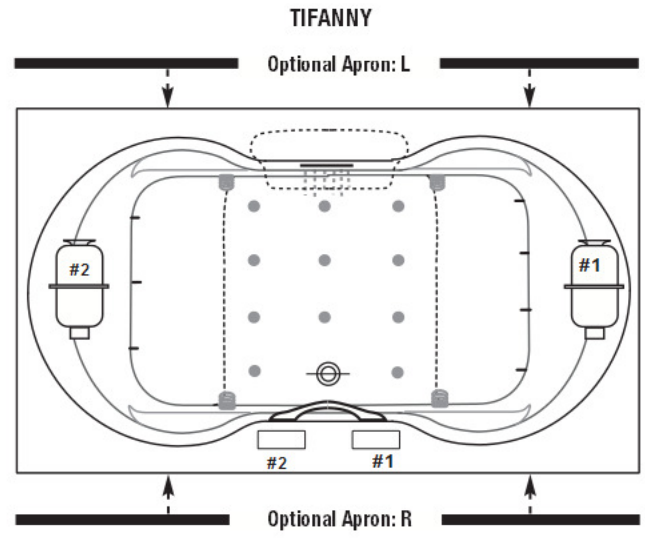
TIFANNY - ORDER FORM

P.O. # _____ Quantity _____



STANDARD OPTIONS	
Application	<input type="radio"/> Alcove
	<input type="radio"/> Drop-In
	<input type="radio"/> Undermount
Color of Bath	<input type="radio"/> White
	<input type="radio"/> Biscuit
Raised Seat	<input type="radio"/> With
	<input type="radio"/> Without
Waterfall Spout	<input type="radio"/> With
	<input type="radio"/> Without

ACCESSORIES	
<input type="radio"/>	Solo Wallmount Tub Filler w/Handshower Chrome (optional)
Waste & Overflow (optional)	
<input type="radio"/>	Chrome
<input type="radio"/>	Brushed Nickel



LEGEND	FEATURES	ENCORE COLLECTION	CLASSIC COLLECTION
--------	----------	-------------------	--------------------

	System	<input type="radio"/> True Drain	<input type="radio"/> Injection Air	<input type="radio"/> Ultimate Combination	<input type="radio"/> True Drain	<input type="radio"/> Soaker Bath	
	Keypad Trim(s) [Ⓜ]	<input type="radio"/> White	<input type="radio"/> Biscuit	<input type="radio"/> Chrome	<input type="radio"/> Brushed Nickel		
	Remote Control ⁺	<input type="radio"/> White Only	<i>(The Remote Control option replaces the keypad - Indicate desired docking position on the bath drawing drawing)</i>				
	3 Speed Keypad ⁺⁺	<input type="radio"/> White	<input type="radio"/> Biscuit	<i>(Field Installation Required)</i>			
	Injector Trim(s) ^{ⓂⓂ}	<input type="radio"/> White	<input type="radio"/> Biscuit	<input type="radio"/> Chrome	<input type="radio"/> Brushed Nickel	<input type="radio"/> Mini Chrome/White	<input type="radio"/> Mini Brushed Nickel/White
	Chromotherapy (optional)	<input type="radio"/> 2 Light's	<input type="radio"/> 4 Light's	<i>(If 2 Light's; indicate desired position on above drawing)</i>			
	Acrylic Grab Bar(s) (optional)	<input type="radio"/> 1x 8in.*	<input type="radio"/> 2x 8in.	<input type="radio"/> 1x 12in.*	<input type="radio"/> 2x 12in.	Color: _____ <i>*Indicate location on above drawing</i>	
	Waterfall Fill Spout (optional)	<input type="radio"/> A	<input type="radio"/> B	<i>(See drawing)</i>			
	Overflow Side	<input type="radio"/> A	<input type="radio"/> B	<i>(See drawing)</i>			
	Acrylic Apron (optional)	<input type="radio"/> Easy Access*	<input type="radio"/> Standard Rectangular**	<input type="radio"/> Corner**	* Factory Installed ** Field installation required		
	Tiling Flange (optional)	<input type="radio"/> Fiberglass	<i>Factory installed. Indicate location on above drawing</i>		<input type="radio"/> PVC	<i>(Field installation required)</i>	
	Blower 12 ft. Relocation Kit	<input type="radio"/> x1	<input type="radio"/> x2	<i>Includes air hose, wire, and necessary hardware</i>			
	Pillow	<input type="radio"/> x1					

+ (with True Drain® Air Channel or Injector System ;not applicable for Ultimate Combo or Classic Collection) Ⓜ (does not apply to remote control)
 ++ (only with classic collection) ⓂⓂ (for injector & ultimate combo air system)

Signature _____ Printed Name _____ Date (dd/mm/yy) _____