

**MENDON
72" CAST IRON
DOUBLE SLIPPER TUB**

Cat. No.
CTDS7H72M



L: 72"
W: 31"
H: 30 1/2" (from floor to top of tub)

Depth: 17 1/2" at drain
Water depth: 14" to overflow
Overflow hole: 1 1/2"

The following is recommended for CTDS7H72M tubs:

- Rim-mounted faucet: part #4601 or 7529
- Straight bath supplies: part #5577
- Leg tub drain: part #5599

Gallon Capacity:	50
Shipping Weight:	527 lbs.
Empty Weight:	347 lbs.
Filled Weight:	765 lbs.

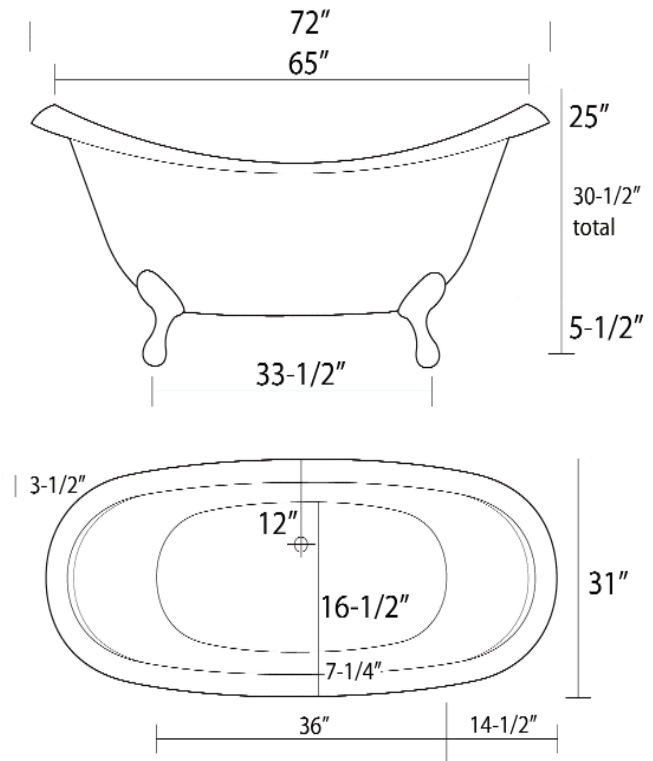
Features:

- ▶ Inside finish is white enamel
- ▶ Fancy solid brass ball feet available in 5 finishes
- ▶ Tub exterior is white (epoxy)
- ▶ 7" centers in tub deck
- ▶ Feet are attached and leveled before shipment
- ▶ Tub is thoroughly inspected before shipment

Foot Finishes:

BP Polished Brass	SN Brushed Nickel
CP Polished Chrome	WH White
ORB Oil-rubbed Bronze	

Extra Paint Charge (inside of tub is always white enamel):
Bisque Paint - \$160 **Black Paint** - \$160
 Bathtubs painted in bisque or black are considered "special order" and are not returnable.



Dimensions of fixture are nominal and may vary within the range of tolerances established by ANSI Standard A112.19.2. Dimensions and specifications subject to change without notice.