

**miniLoo™ Toilet**



**Model Shown: 8952-W-1-HP; CTC; HS-WPFR**  
Mira (High Polish) Stainless Steel MiniLoo Toilet; Geberit® Concealed Tank & Carrier System with Neo-Metro's Satin Finish Dual Flush Panel; White ABS Plastic Round Toilet Seat

- **SPACE SAVING COMPACT CONICAL ROUND TOILET DESIGNED TO WORK WITH A GEBERIT® CONCEALED TANK AND CARRIER SYSTEM Tank & Carrier System Sold Separately from Fixture. Geberit® system is Installed into a Wall Utilizing Standard Resident Water Lines; Waste Outlet in the Wall**
- **Water Saving Dual Flush Actuator Panel Dispenses 0.8 Gallons (3 Liters) per Flush for Liquid Waste and 1.6 Gallons (6 Liters) per Flush for Solid Waste**
- **Heavy 16-Gage Stainless Steel Construction**
- **Satin Finish is Standard Optional Mira High Polish Finish or White Gloss Powdercoat is Available**
- **Toilet Punched for Top Mounted Seat Seat Hole Plugs Provided; Seat Sold Separately**
- **Available in Off-Floor(-1) Configuration Only**
- **Codes/Standards Applicable - ANSI A112.19.2, ADA**



Stainless Steel Toilet Bowl is Recyclable

Neo-Metro is a Member of U.S. Green Building Council



**DESCRIPTION** MODEL/OPTION #

**TOILET BOWL** - Required Selection INIT. \_\_\_\_\_

**Off-Floor Mounting (Wall Waste) Wall Supply Toilet**

- Satin Finish** (Standard) 8952-W-1
- Mira Finish** (High Polish) 8952-W-1-HP
- White Gloss Powdercoat** 8952-W-1-EG-10

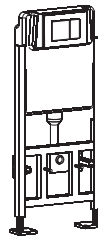


**ADA Compliancy - Off Floor Mounting**

This fixture is ADA compliant if seat height is positioned 17"-19" (432 mm - 483 mm) off the floor. ADA compliance is subject to the interpretation and requirements of the local code authority. Please check your local ADA regulations.

Add (+)

**FLUSHING MECHANISM/CARRIER** INIT. \_\_\_\_\_  
Required Selection



Elimination of the visible tank creates attractive decorator options for today's efficient bathroom designs. Geberit® tank releases .8 or 1.6 gallons (3.0 or 6.0 liters) per flush using Neo-Metro Dual Flush Panel. Carrier requires 19-3/4" (502 mm) clearance between 2" x 6" (51 mm x 152 mm) wall studs.

**Geberit® Concealed Tank/Carrier System with Neo-Metro's Dual Flush Panel**



**Select Finish on Panel**

- Satin Finish** (Standard) CTC
- Mira Finish** (High Polish) CTC-HP
- White Gloss Powdercoat** CTC-EG-10

The Dual Flush Panel is also available separately. Satin (DFSP), Mira (DFMP) and White Powdercoat (DFSP-EG-10)

Add (+)

**ACCESSORIES** INIT. \_\_\_\_\_

**ABS Plastic Round Seat with Cover**



- Chrome Plated - Satin Finish** HS-CSFR
- Chrome Plated - Mira Finish** (High Polish) HS-CMFR
- White** HS-WPFR

Other Residential Bath Accessories are Available Through Neo-Metro including:

- Toilet Brush and Porcelain Caddy with Stainless Steel Shelf (3043-010-000)
- Pivoting Toilet Roll Holder (3043-009-000)

Shown in above photo



**APPROVAL FOR MANUFACTURE**

COMPANY: \_\_\_\_\_

PROJECT NAME: \_\_\_\_\_

SIGNEE'S NAME WRITTEN CLEARLY: \_\_\_\_\_

DATE \_\_\_\_\_

AUTHORIZED SIGNATURE: \_\_\_\_\_

# miniLoo™ Toilet

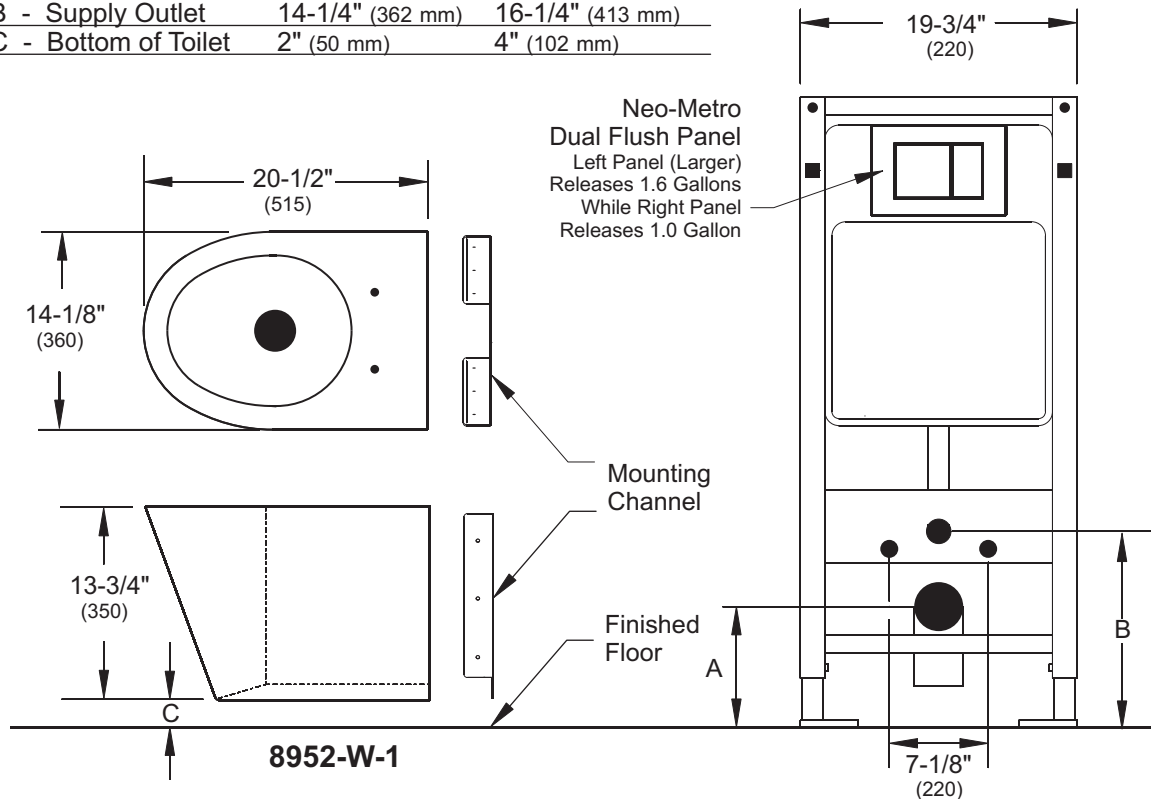
**PRODUCT Specification . . .** The cistern flush style toilet is designed to work with the Geberit® concealed tank and carrier system (tank & carrier sold separately from fixture). A Neo-Metro Dual Flush Panel releases 1.0 or 1.6 gallons (3.8 or 6 liters) per flush. Toilet shall be fabricated of 16-gage, Type 304 stainless steel. Toilet is configured for an off-floor wall mounted application. Toilet bowl is a compact conical round bowl and is punched and threaded for a top mounting round toilet seat. Seat sold separately. Stainless steel P-Trap shall pass a 2-1/8" (54 mm) ball. Toilets meet ASME/ANSI guidelines as outlined in A112.19.2M-1998. Both toilet and Dual Flush Panel are available in Satin (Standard), Mira (High Polish) or White Gloss Powdercoated Stainless Steel.



As an off-floor toilet, the MiniLoo is ADA compliant if the seat height is positioned 17" - 19" (432 mm - 483 mm) off the floor. Geberit® carrier is adjustable to accommodate ADA toilet seat height requirements. ADA compliance is subject to interpretation and requirements of local code authority. Please check your local ADA regulations.

**PLUMBING Specification . . .** The toilet must use a Geberit® concealed (in-wall) tank and carrier system. Geberit® carrier requires 19-3/4" (502 mm) clearance between 2" x 6" (51 mm x 152 mm) wall studs. Tank releases an average 1 or 1.6 gallons (3.8 or 6 liters) per flush using Neo-Metro Dual Flush panel. Both water inlet and waste outlet are through the wall.

DIMENSION FROM FINISH FLOOR	STANDARD INSTALLATION	ADA COMPLIANT INSTALLATION
A - Waste Outlet	9" (230 mm)	11" (279 mm)
B - Supply Outlet	14-1/4" (362 mm)	16-1/4" (413 mm)
C - Bottom of Toilet	2" (50 mm)	4" (102 mm)



Neo-Metro assumes no responsibility for use of void or suspended data. All dimensions are nominal and subject to manufacturer change without notice.

## INSTALLATION INSTRUCTIONS ARE AVAILABLE