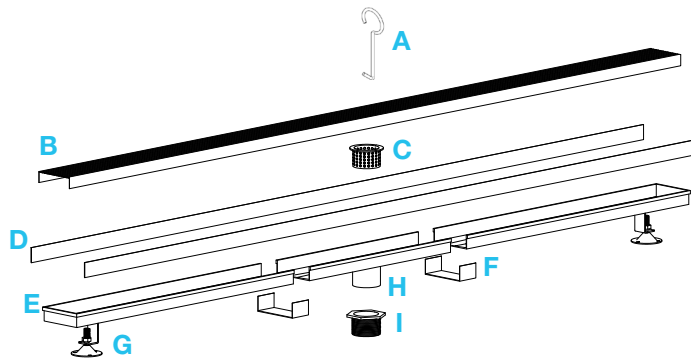


DELMAR LINEAR DRAIN ADJUSTABLE 2" OUTLET

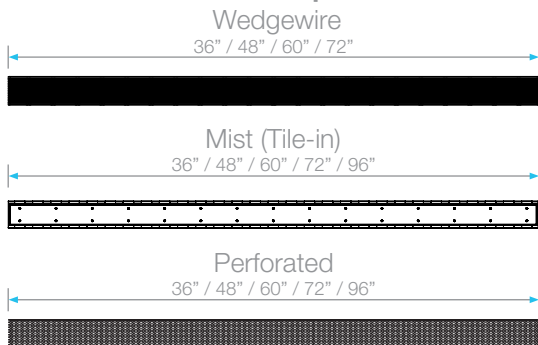
Kit Includes:

- A** Lifting Key
- B** Grate
- C** Hair/Debris Strainer
- D** Trims
- E** Base
- F** Joiners
- G** Leveling Legs
- H** 2" Outlet
- I** Threaded Nipple / Adapter
 - + Stainless Steel Cutting Blade
 - + Sealant

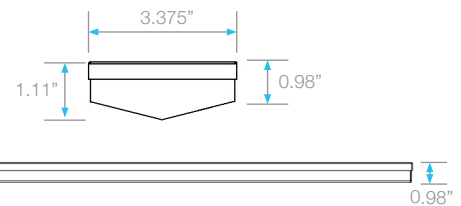


Specifications

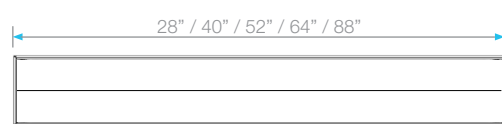
B Grate - Top View



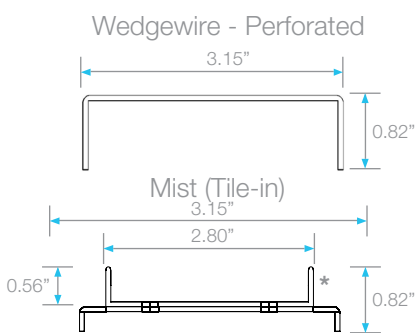
E Base - Side View



Top View

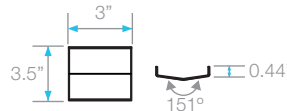


B Grate - Side View

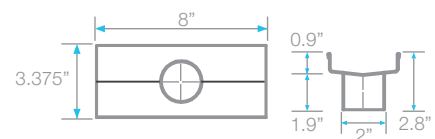


*Note: Tile-In grate accepts flooring material up to 1/2" tickness

F Joiner - Side & Top View



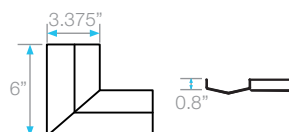
H 2" Outlet - Side & Top View



D Trims - Side View



Corner - Side & Top View






 C US
 USA - ASME A 112.18.2-2011/
 CAN - CSA B 125.2-11.
 Certificate #2689051

QM USA, Corp.
 129 NW 25th Terrace
 Fort Lauderdale, FL, USA 33311
 P: 954 773 9450 • info@qm-us.com
www.qmdrain.com



Features

- Stainless Steel 316 Gauges:
 Wedgewire grate: 8 gauges = 5mm for edge bars and 9 gauges= 4mm for inside bars.
 Perforated & Mist grate: 16 gauge = 1.5 mm.
- Base: 18 gauge = 1.2 mm.
- Works with 2" ABS, PVC or Cast Iron shower drain flange (not included).
- Grate can be removed completely for cleaning.
- Hair Strainer Basket comes with every drain, fits inside the drain to collect hair and other debris, preventing pipe clogs.
- Adjustable is intended for use with traditional waterproofing methods.

Adjustable Complete Kit

	Length	Satin SKU	Polished SKU	Black SKU
Wedgewire 	36"	33.610.36 ST	33.610.36 PS	33.610.36 BK
	48"	33.610.48 ST	33.610.48 PS	33.610.48 BK
	60"	33.610.60 ST	33.610.60 PS	33.610.60 BK
	72"	33.610.72 ST	33.610.72 PS	33.610.72 BK
	96"	33.610.96 ST	33.610.96 PS	33.610.96 BK
Perforated 	36"	33.620.36 ST	33.620.36 PS	
	48"	33.620.48 ST	33.620.48 PS	
	60"	33.620.60 ST	33.620.60 PS	
	72"	33.620.72 ST	33.620.72 PS	
	96"	33.620.96 ST	33.620.96 PS	
Mist (Tile-in) 	36"	33.630.36 ST	33.630.36 PS	
	48"	33.630.48 ST	33.630.48 PS	
	60"	33.630.60 ST	33.630.60 PS	
	72"	33.630.72 ST	33.630.72 PS	
	96"	33.630.96 ST	33.630.96 PS	

Add to Kit (Specification Pages: 131-132)

Drain Flange	SKU	Square Drain Flange	SKU
 2" PVC	83.FLG.2.PVC	 2" ABS	83.SQFLG.2.PVC
2" ABS	83.FLG.2.ABS	2" Cast Iron No hub	83.SQFLG.2.ABS
2" Cast Iron No hub	83.FLG.2.CI	2" Cast Iron FIP	83.SQFLG.2.CI
2" Cast Iron FIP	83.FLG.2.CI.IP		83.SQFLG.2.CI.IP

Note: 72" and 96" Kit includes two outlets, two hair strainers, two pair of joiners and two adapters. 72" Wedgewire and Mist Black Kit has two 36". 96" Wedgewire and Mist Kit has two 48" grates. Choose the kit with equal or greater size than the length wanted; for longer lengths drain connect kits to build the desired length. Installer must verify all rough-in dimensions prior to installation and consult local and national codes. Conformity and compliance to local and national codes are the responsibility of the installer. Dimensions are subject to Manufacturers tolerance and change without notice. We can assume no responsibility for use of superseded or voided data.