

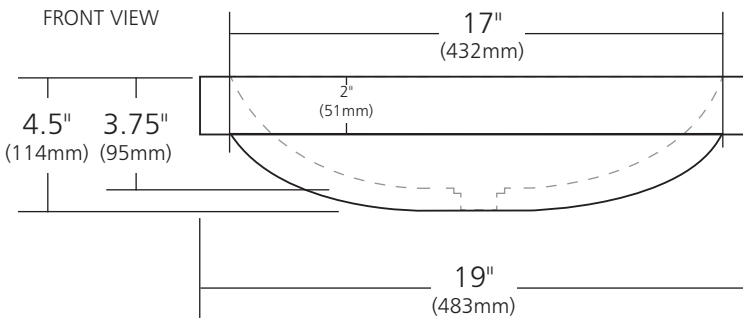
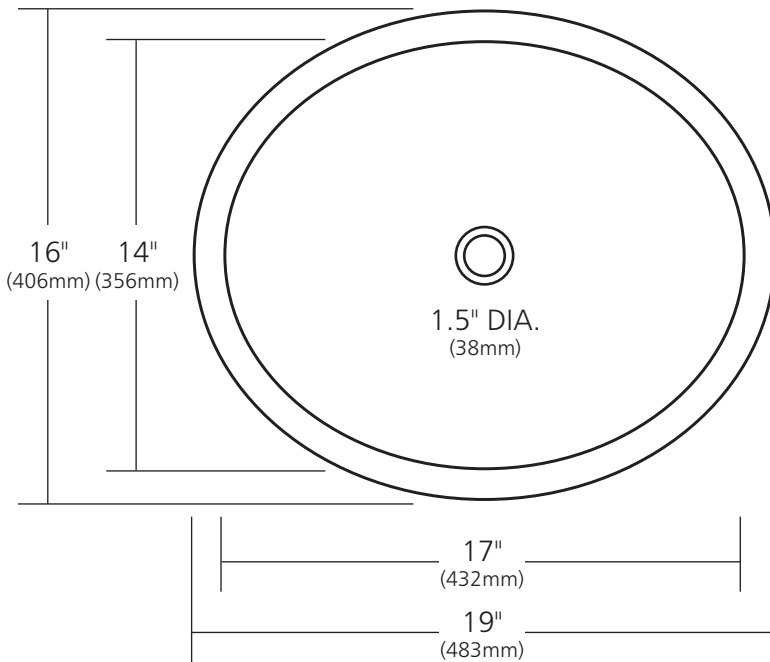
SPECIFICATIONS

TOLOSA

NativeStone® Collection



TOP VIEW



NSL1916-A Ash
 NSL1916-S Slate
 NSL1916-P Pearl

PRODUCT DETAILS

- 19" x 16" x 4.5" OD (483mm x 406mm x 114mm)
- 17" x 14" x 3.75" ID (432mm x 356mm x 95mm)
- 1.5" (38mm) drain opening
- Handcrafted from sustainable NativeStone®
- Sealed with impermeable nano sealer

INSTALLATION

- Drop-in or undermount

COORDINATING PRODUCTS

- Drains: DR120, DR130, DR150 or DR160

STANDARDS COMPLIANCE

- UPC/cUPC compliant

IMPORTANT

Due to the handcrafted nature of this product, it will vary in finish, texture, and other details. Dimensions may vary up to .5" (13mm). We strongly recommend waiting for the actual product before making any installation cuts.