

Date:

Client:

Project:

VOLA product: HV8M



HV8M

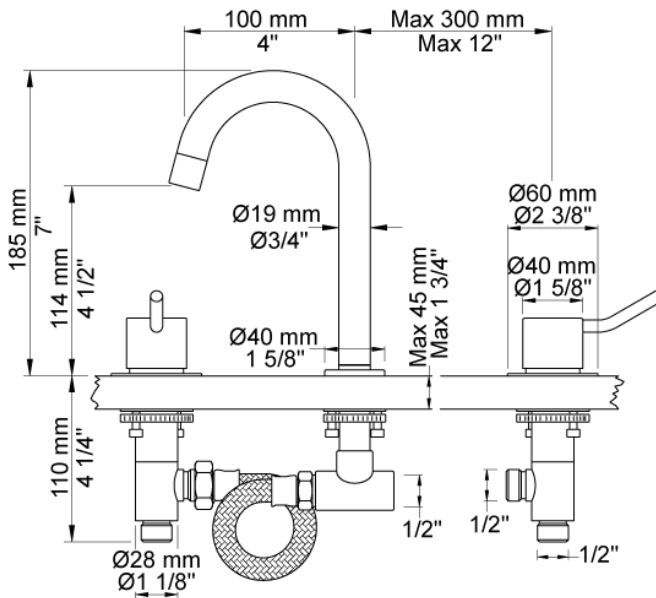
Three-hole mixer combination consisting of ¼ turn ceramic stop valves S50D + S50DH with medium lever, swivel spout 090B with water saving aerator, 2 pcs. 60 mm circular flanges 001. Inlet/Outlet: ½". Hole cut out size, valves: 30 mm. Hole cut out size, spout: 22 mm.

Flow

	Psi:	14.5	29.0	43.5	58.0	72.5
HV8M	(gal/min)	1.3	1.8	2.2	2.2	2.2

Available in colors

- Color 02, Grey
- Color 04, Light blue
- Color 05, Orange
- Color 06, Light green
- Color 08, Yellow
- Color 09, Dark grey
- Color 12, Mocca
- Color 14, Bright red
- Color 15, Dark blue
- Color 16, Polished chrome
- Color 17, Gloss black
- Color 18, White
- Color 19, Natural brass
- Color 20, Brushed chrome
- Color 21, Carmine red
- Color 25, Pink
- Color 27, Matt black
- Color 40, Brushed stainless steel



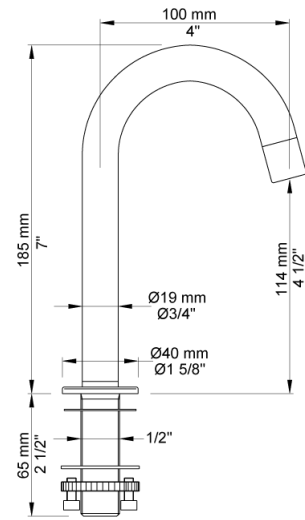
Date:

Client:

Project:



090B
Swivel spout. Hole cut out size: 22 mm.



S50M
Stop valve with 1/4 turn ceramic disc technology with medium lever. Includes non-return valve and 1/2" inlet/outlet. Hole cut out size: 30 mm.

