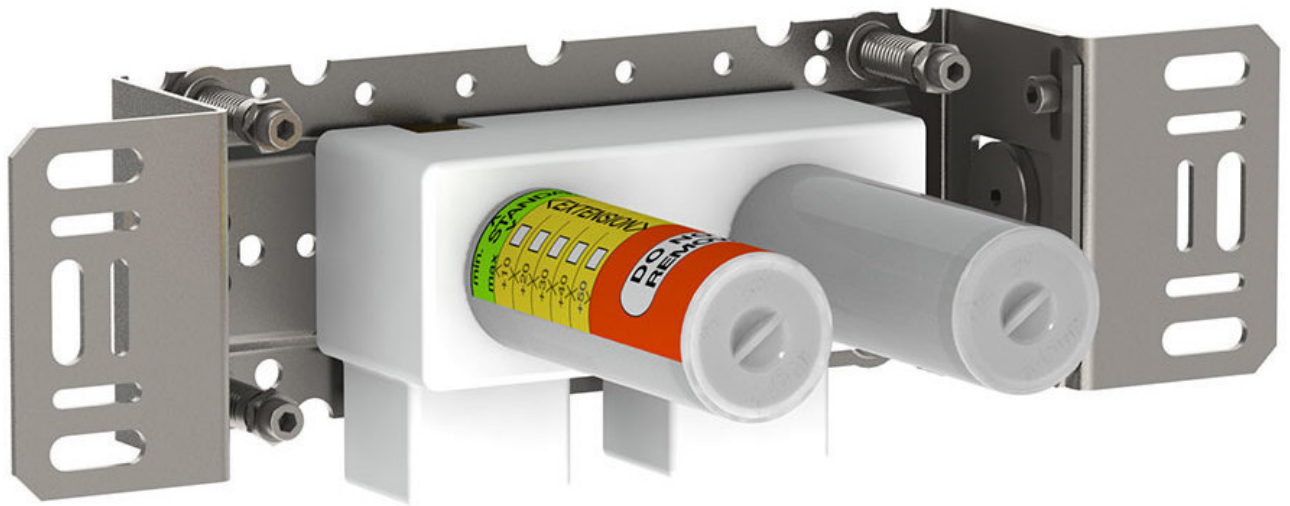


--

Date:
Client:
Project:



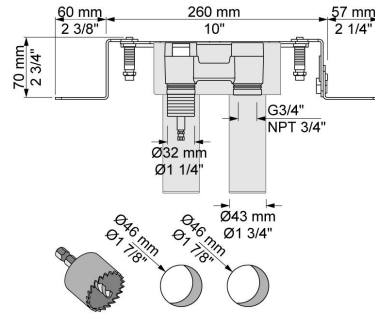
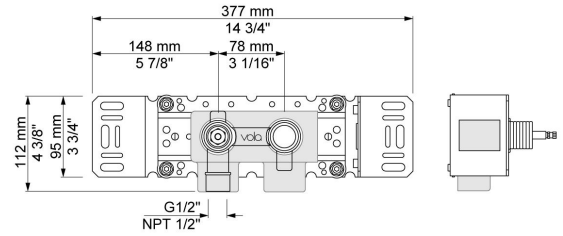
900

Build-in stop valve with fixed outlet socket.

½" connection to copper, steel, iron or pex pipe Work.

Flow

	Psi:	14.5	29.0	43.5	58.0	72.5
900	(gal/min)	4.6	6.5	7.9	9.2	10.2



Available in colors

Color 60, Black	Color 64, Brushed Copper
Color 61, Brushed black	Color 65, Gold
Color 62, Deep black	Color 68, Silver
Color 63, Copper	Color 70, Brushed Gold