

Date:

Client:

Project:

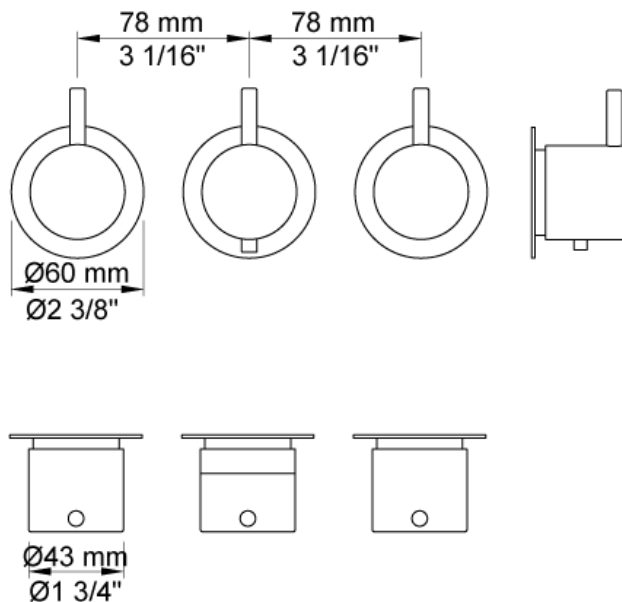


5401

¾" thermostatic mixer and diverter. 5401UP = Thermostatic mixer 5400V.
 5401AP = Handle NR51, handle NR52, handle NR64G, 3 pcs. 60 mm circular flanges 2001.A24 sold separately.

Flow

	Bar:	1.0	2.0	3.0	4.0	5.0
Outlet 1	(l/min)	18.5	26.1	32.0	37.0	41.3
Outlet 2	(l/min)	18.5	26.1	32.0	37.0	41.3
Outlet 1	(l/min)	4.4	6.2	7.6	7.6	7.6
Outlet 2	(l/min)	4.4	6.2	7.6	7.6	7.6

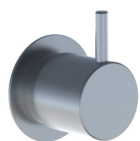
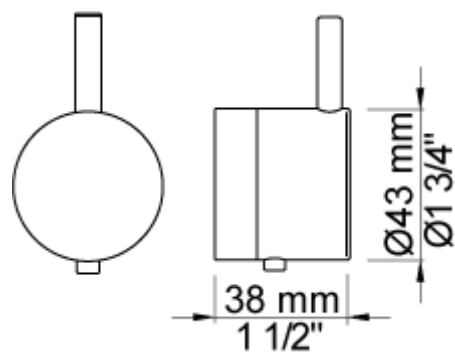


Available in colors

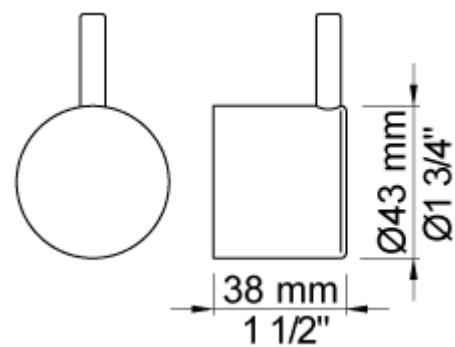
Color 02, Grey	Color 17, Gloss black
Color 04, Light blue	Color 18, White
Color 05, Orange	Color 19, Natural brass
Color 06, Light green	Color 20, Brushed chrome
Color 08, Yellow	Color 21, Carmine red
Color 09, Dark grey	Color 25, Pink
Color 12, Mocca	Color 27, Matt black
Color 14, Bright red	Color 28, Matt white
Color 15, Dark blue	Color 40, Brushed stainless steel
Color 16, Polished chrome	



NR52
Thermostatic handle for series 5000.



NR64G
Diverter handle for 5400/5600. With peg in the same colour as handle (Standard).



--

Date:

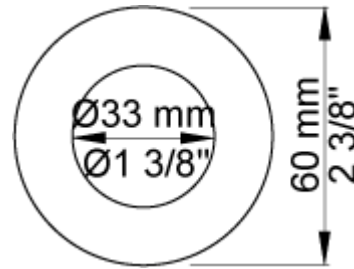
Client:

Project:



001

60 mm circular flange. Hole \varnothing 33 mm.

**Available in colors**

Color 02, Grey	Color 17, Gloss black
Color 04, Light blue	Color 18, White
Color 05, Orange	Color 19, Natural brass
Color 06, Light green	Color 20, Brushed chrome
Color 08, Yellow	Color 21, Carmine red
Color 09, Dark grey	Color 25, Pink
Color 12, Mocca	Color 27, Matt black
Color 14, Bright red	Color 28, Matt white
Color 15, Dark blue	Color 40, Brushed stainless steel
Color 16, Polished chrome	