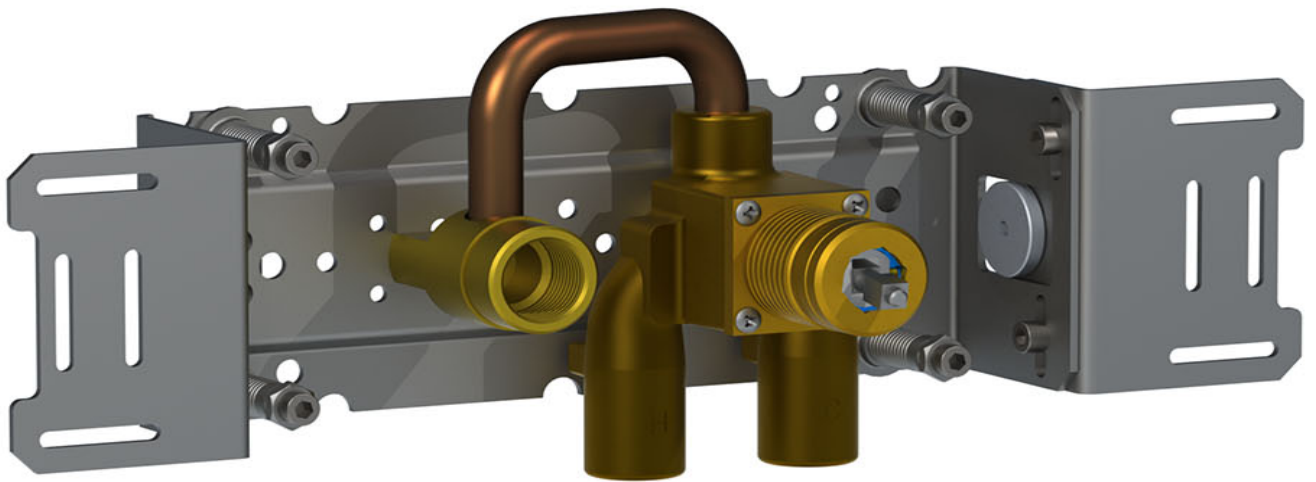


Date:

Client:

Project:

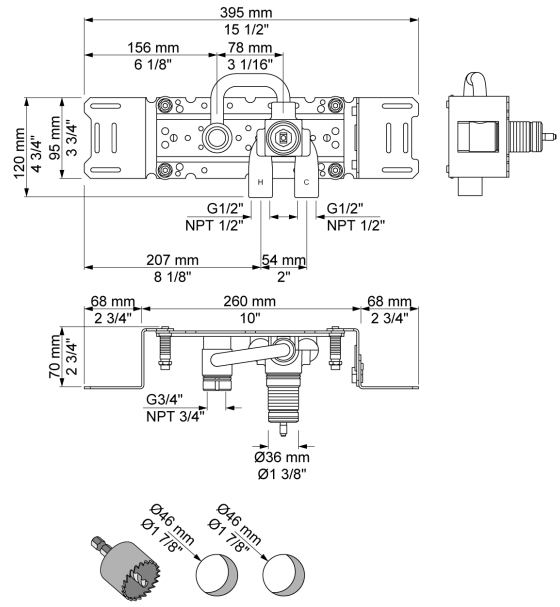


100X

One-handle build-in mixer with fixed outlet socket, mixer to the right. 1/2" connection to copper, steel, iron or pex pipe work.

Flow

	Bar:	1.0	2.0	3.0	4.0	5.0
100X	(l/min)	10.4	14.7	18.0	20.8	23.2



Available in colors