

NEWPORT BATH

Features

Converts any ADA grab bars into Handshower w/ Slidebar Set
Compatible with all Newport Brass / Ginger Grab bars
Fully adjustable (height and angle)
Multi-function handshower engine with 3 spray modes
Rubber nozzles facilitate easy cleaning
59" [149.9 cm] spiral shower hose
1/2" NPT inlet elbow fitting
4" (10.2 cm) showerhead diameter
1.8 GPM (6.8 LPM) Max

SHOWER SLIDER KIT FOR GRAB BAR

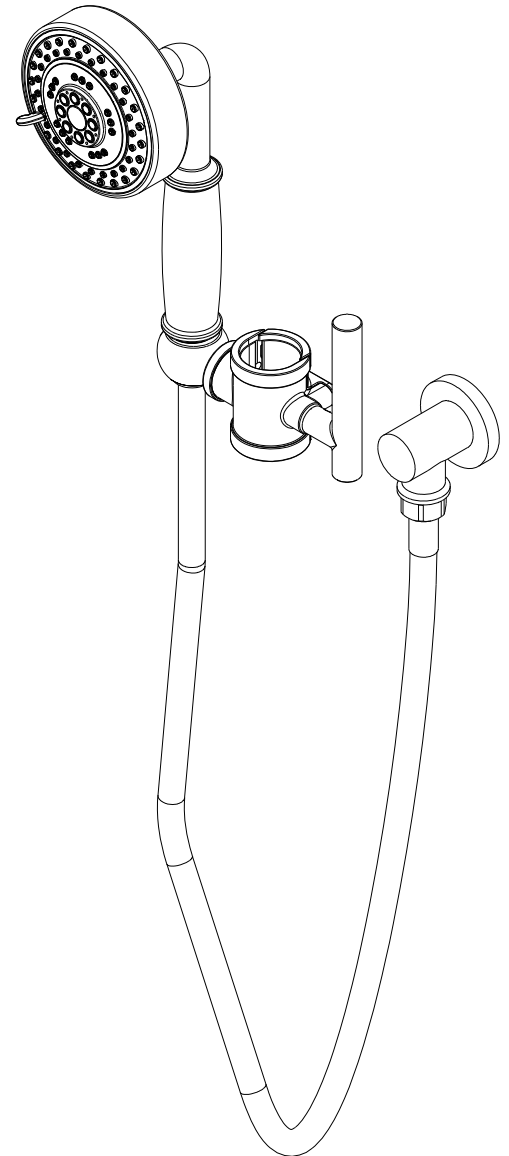
990-0443



Codes / Standards Compliance

Meets or exceeds the following at date of manufacture:

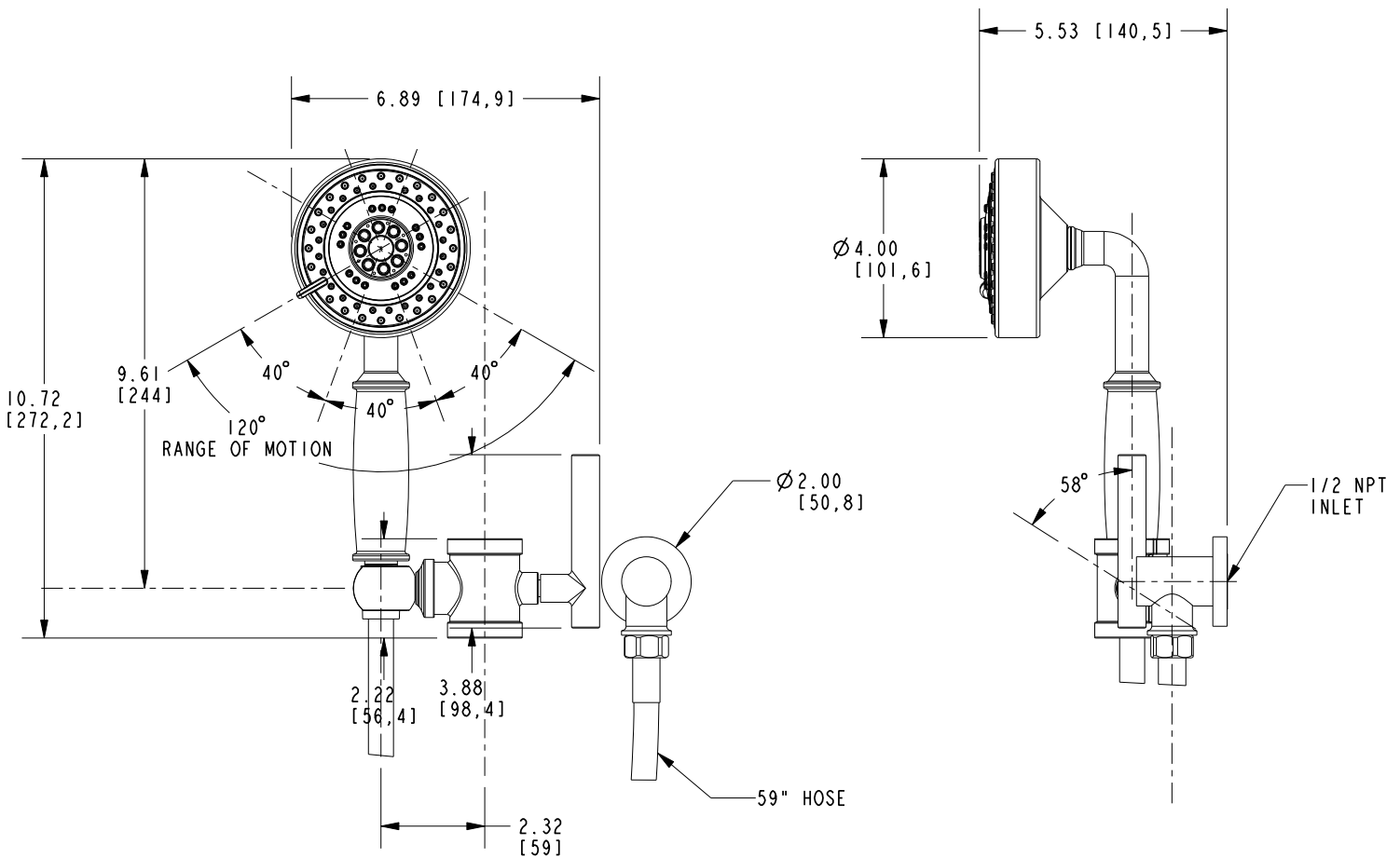
ASME A112.18.1/CSA B125.1-18
IAPMO/cUPC
IPC
Energy Policy Act of 1992
EPA WaterSense
California Energy Commission
ASME A112.18.3 (Back Flow)
All applicable US Federal and State material regulations



990-0443

PRODUCT DIMENSIONS (Units are in inches)

Product Dimensions are provided for reference only. For specific product installation guidelines, please reference the Installation Instructions of the product being installed.



SHOWER SLIDER KIT FOR GRAB BAR

990-0443

Page 2 of 2
EN- 5007-1
REV C

NEWPORT BRASS
Flawless Beauty. From Faucet to Finish.

t: 949.417.5207 | www.newportbrass.com
©2025 NewportBrass