

**Features**

- Solid brass construction
- Pop-Up Style Drain
- Drain Tailpiece fully polished
- Fits 1-1/2" to 1-3/4" sink openings
- Includes Overflow Holes
- Includes 1-1/4" O.D. Tailpiece

**Codes / Standards Compliance**

Meets or exceeds the following at date of manufacture:

- ASME A112.18.2/CSA B125.2
- IAMPO/cUPC
- IPC
- All applicable US Federal and State material regulations

**Colors / Finishes**

- 10B: Oil Rubbed Bronze
- 15: Polished Nickel
- 15S: Satin Nickel - PVD
- 26: Polished Chrome
- Other: Refer to the Newport Brass catalog for additional color/finish options.

**Tank & Lavatory Drain Assembly**

**326**



**Specified Model**

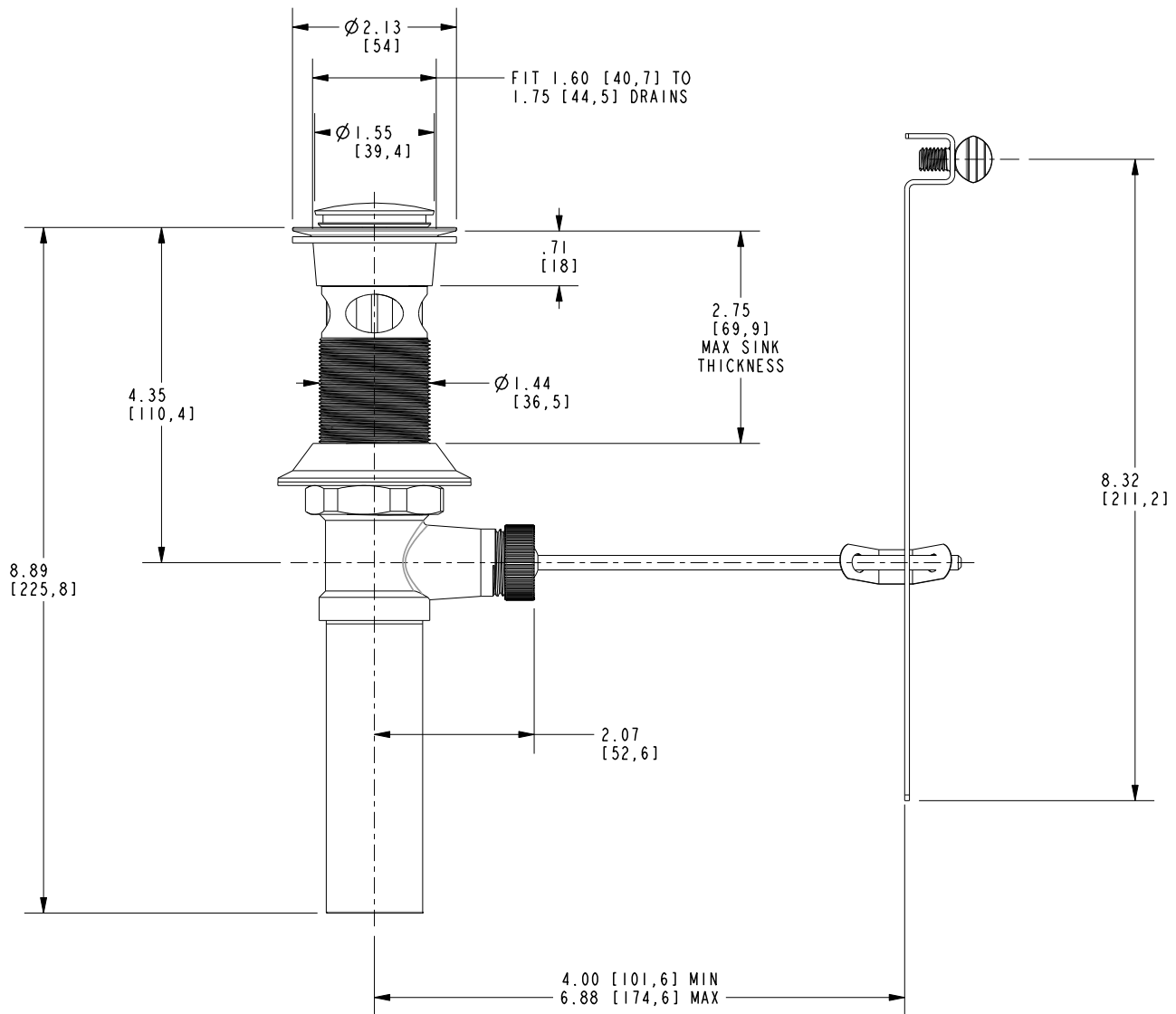
Model	Description	Colors   Finishes				
326	Tank & Lavatory Drain Assembly	<input type="checkbox"/> 10B	<input type="checkbox"/> 15	<input type="checkbox"/> 15S	<input type="checkbox"/> 26	<input type="checkbox"/> Other

**Product Specification** Add "Color / Finish" suffix to Model number, below.

Lavatory drain shall be made of solid brass construction. Lavatory drain shall include Pop-Up Style functionality. Lavatory drain shall include overflow holes and 1-1/4" O.D. tailpiece. Lavatory Drain shall be Newport Brass Model 326/\_\_\_\_.

# 326

Product Dimensions are provided for reference only. For specific product installation guidelines, please reference the Installation Instructions of the product being installed.



## Brasstech Tank & Lavatory Drain Assembly 326