

NEWPORT BATH

Features

Solid brass construction
Traditional styling
Simulated rainfall shower pattern
Rubber nozzles facilitate easy cleaning
3/4" NPT inlet fitting
11.55" (29.3 cm) showerhead diameter
CEILING MOUNT ONLY
1.8 GPM (6.8 LPM) Max

Showerhead

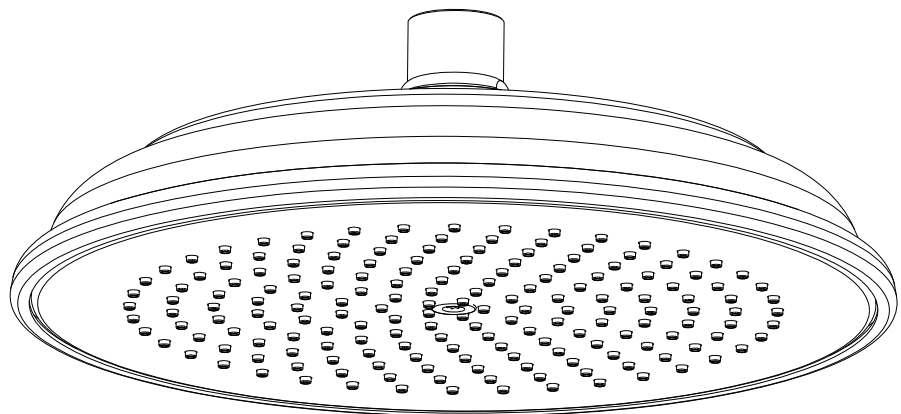
2162



Codes / Standards Compliance

Meets or exceeds the following at date of manufacture:

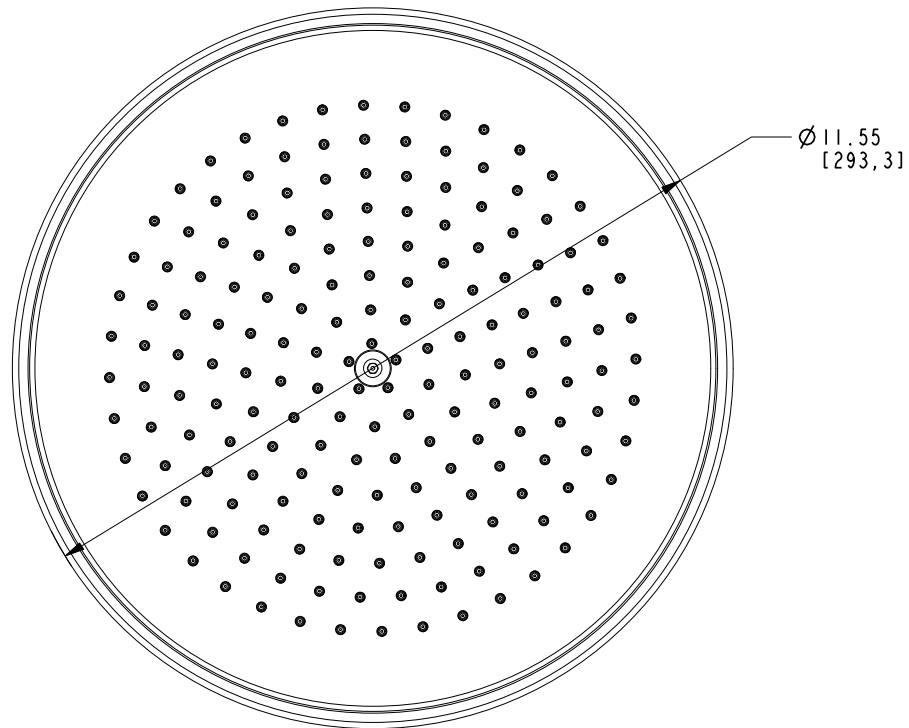
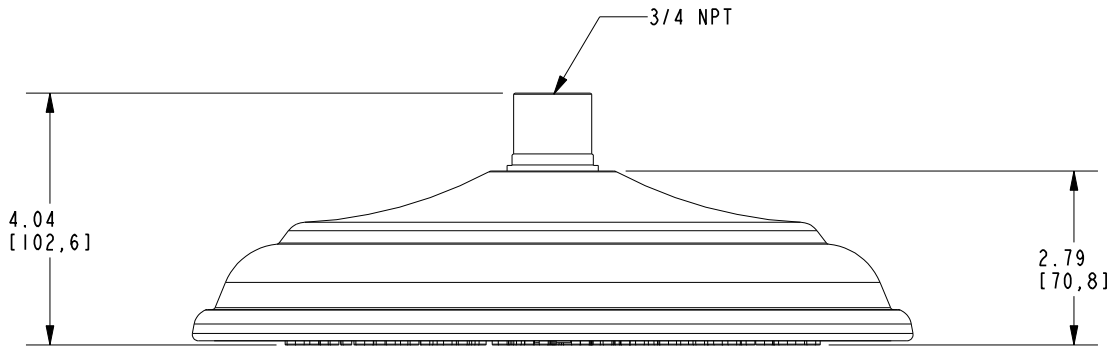
ASME A112.18.1/CSA B125.1
IAMPO/cUPC
IPC
Energy Policy Act of 1992
EPA WaterSense
California Energy Commission
All applicable US Federal and State material regulations



2162

PRODUCT DIMENSIONS *(Units are in inches)*

Product Dimensions are provided for reference only. For specific product installation guidelines, please reference the Installation Instructions of the product being installed.



Showerhead
2162

Page 2 of 2
EN- 4879
REV E

NEWPORT BRASS
Flawless Beauty. From Faucet to Finish.

t: 949.417.5207 | www.newportbrass.com
©2024 Brasstech, Inc.