

# NAGANO

391 7/8" (octagonal) x 37 1/4"



## PRODUCT DESCRIPTION:

5 days

Corner bathtub  
Adjustable feet  
Contemporary style  
Gloss finish resistant to stains and discoloration  
Acrylic thermoformed and reinforced with fiberglass  
Available with 2" and 4" flange

### WATER CAPACITY:

80 gallons

### IMMERSION:

31 1/4 po

### BOX SIZE:

41" X 41" X 39"

### NET WEIGHT:

56 lbs

### GROSS WEIGHT:

60 lbs

## GENERAL OPTIONS

**Waste included:** Chrome

**Acrylic Colors:** White and Biscuit\* (Allow 3 weeks delivery for Biscuit)

**Chromotherapy 1 light** (Specify trim color) 17.99999.0000.00

**Chromotherapy 2 lights** (Specify trim color) 17.99999.0001.00

**Chromotherapy 4 lights** (Specify trim color) 17.99999.0002.00

**Handle** (max. 2) (submit drawing with order) 95.7077.106.XX

**Rayola** (Specify control color)

## WHIRLPOOL OPTIONS

**A bathtub fitted with back jets may cause the pump to protrude by +/- 3" from the overall dimension.**

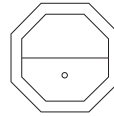
**Pump is installed behind back rest**

**Whirlpool Jet finish:** Chrome, White, Biscuit, Bone Standard

**110v Inline Heater** (1)

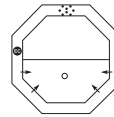
**Ozonator**

**Turbo Air** (1)



**Bathtub only**

**NA40**



**Whirlpool**

Included: 4 turbo jets, 8 rotating back jets,  
13 A pump, diverter valve and electronic control.

**NA40T**

\*Customized products, non cancellable, non returnable.



**Intertek**

### COMPLIANCE ATTESTATION

Standard bathtubs

CAN / CSA.B45.5

Hydromassage Standards

CAN / CSA.B45.10 / CSA.C22.2 / UL-1795



### Certification ECORESPONSIBLE

First manufacturer of bathroom products in  
North America to be certified ecoresponsible.



# Produits Neptune

6835, Picard street, Saint-Hyacinthe (Quebec) J2S 1H3

Phone: (450) 773-7058 - Fax: (450) 773-5063

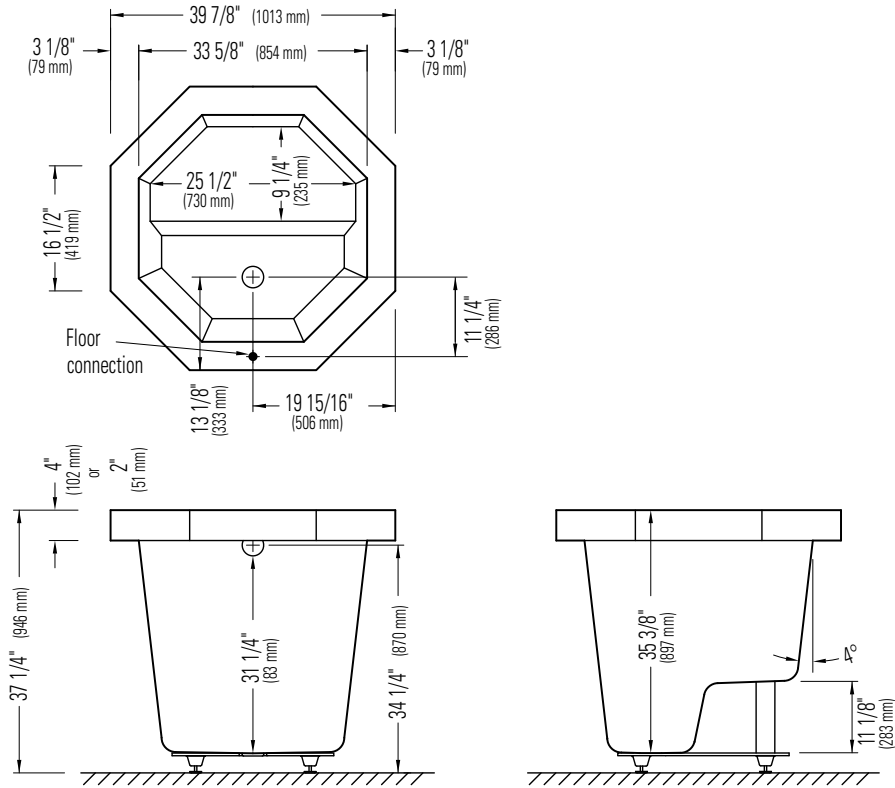
produitsneptune.com



Produits Neptune

# NAGANO

Bathtub



\*A bathtub fitted with back jets can cause the pump to protrude by approximately 3" from the overall dimension.

\*\*All dimensions are approximate and subject to change without notice. Please refer to the installation guide before beginning the installation