

THALASSA SENSATION

54" x 54" x 20"

Thalassa means "the sea," where all states of being co-mingle.



PRODUCT NO.

MODEL	TMU	TUB
	BTHACD00T-XX	BTHACD00N-XX

THERMOMASSEUR (TMU)	\$
Hydro-thermo massage • Air jet system	
Jets	40
1 heated backrest & headrest	Included
Mia® Control	Included
BU-Touch Control Application BUTOUCH	\$
Geysair®	Included
AromaCloud®** BAROMAC	\$
Illuzio Chromatherapy BCHRO6	\$
2 nd heated backrest (WTS-1 zone) BSHB	\$

TUB	\$
Soaker	
AromaCloud®** BAROMAC	\$
Illuzio Chromatherapy BCHRO6	\$
WarmTouchShell® BWTS	\$
DOT control	Included with therapy
2 nd WarmTouchShell® BWTS2	\$

FEATURES

Installation type	Drop-in & Corner		
No. of bathers	2	Imp. gallons	46
US gallons	55	Grab bars (color match)	1

STANDARD COLOR

		Included
White 01	Biscuit 02	

OPTIONS (UPCHARGE APPLICABLE)

CONTROL (TMU only)	
MiaPlus®** BMIAP1-XX	\$
SKIRT SJ-3 SE BSJ3-XX	
White 01 , Biscuit 02	\$
CLEAR ACRYLIC GRAB BARS BGBG10-XX	
With Chrome 07 or Brushed Nickel 09 inserts	\$
TILE FLANGE	
Ordered with bath (not installed) BTILEN	\$
Factory-installed. Front BTILEF . Special installation BTILEO	\$
WASTE & OVERFLOW 16" x 35" BOVER16-XX	
Chrome 07	\$
White 01 , Biscuit 02	\$
Brushed Nickel 09 , Polished Nickel 10 , Oil-rubbed Bronze 11	\$
IF REQUIRED BY CONSTRUCTION CODE	
16" x 35" Cable driven brass waste & overflow kit BOVERBR	\$



* The AromaCloud® is built into the deck (factory installed).

** The MiaPlus® Control is Included when purchasing Chromatherapy and/or a 2nd heated backrest on a TMU.

TOTAL PRICE \$

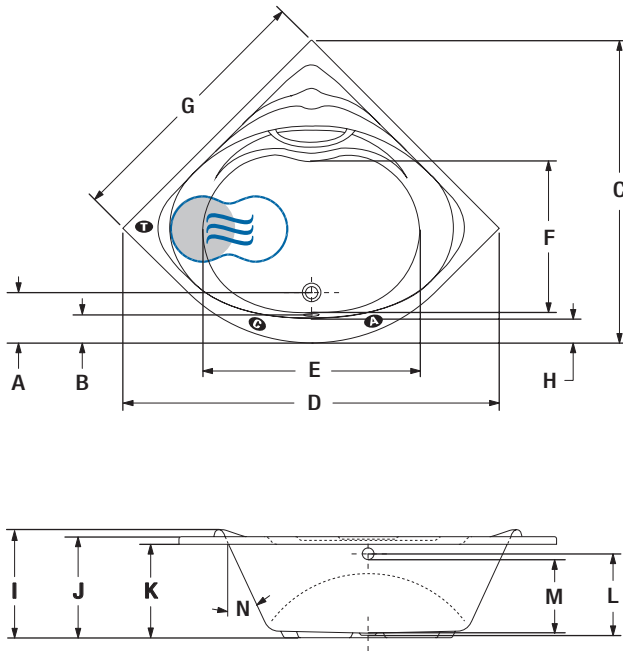


SENSATION



Acrylic grab bar

INSTALLATION



LETTER	DESCRIPTION	MEASURE
A	Outside edge to center drain	10 1/2"
B	Outside edge to overflow	5 1/2"
C	Total length	58 7/8"
D	Total width	75 7/8"
E	Bathing well length	44"
F	Bathing well width	28 7/8"
G	Sidewall length	53 7/8"
H	Deck width (widest point)	5 1/4"
I	Total height to raised headrest	22 1/4"
J	Height from bottom of bath to top deck	20 1/4"
K	Height from bottom of bath to bottom of deck	18 3/4"
L	Height from drain to center of overflow	15 3/4"
M	Maximum water level	14"
N	Slope of backrests	21°

- A** AromaCloud® position
- C** Control position when factory-installed (Mia® or DOT)
- T** Turbine position (TMU)
- Indicates heated backrest (TMU)
- ☁ Indicates WarmTouchShell® position (TUB)

TECHNICAL SPECIFICATIONS

Hot water supply required	The hot water supply should be 70% or more of the bath's total water capacity.
Turbine	Access to the pump must be at least 18" x 22". Standard connection is 20 A, 120 V, 60 Hz , dedicated line with a Ground-Fault Circuit Interrupter (GFCI). For any additional option, a second line is needed 15 A, 120 V, 60 Hz , dedicated line with a GFCI. Air vent necessary: 2" x 4" minimum.
Others	- The Geysair is located on the same side as the heated backrest. It must NOT be relocated . It must be connected to the hot water supply and be accessible (provide access). - Optional tile flange.

Our products must be installed by certified professionals only and according to our Owner's Manual as well as federal, provincial/state and local building codes and regulations (www.bainultra.com/documentation/documentation).

Cutting template	# 90000014
Approx. shipping weight	135 lbs
Turbine power	550 W
Air heater	600 W
WARRANTY	
Controls-LED-Geysair*	5 years
Bath & turbine*	20 years

* Some restrictions apply | www.bainultra.com/warranty

The specifications shown indicate the outer edge dimension and the inside bathing capacity dimension measured at air jets' height. The manufacturer accepts a 1/4" [0.64 cm] variance. There are variations on each product and specifications are subject to change as we improve upon our product as required. The dimensions needed for site preparation and structure building will differ. BainUltra® assumes no responsibility for preparatory work done prior to the product being on site.

VIBE 6030

60" x 30" x 19"

Vibe is a collection of therapeutic bathtubs with minimalist and contemporary flair. The collection is perfect for urban city dwellers who want to bring value and refinement to smaller bathrooms.



Alcove – Standard 1 1/2" deck

Slim deck

PRODUCT NO.

MODEL	TMU	TUB
Drop-in Standard 1 1/2" deck	BVIBRD00T-XX	BVIBRD00N-XX
Alcove – Left Standard 1 1/2" deck	BVIBRB0LT-XX	BVIBRB0LN-XX
Alcove – Right Standard 1 1/2" deck	BVIBRB0RT-XX	BVIBRB0RN-XX
Slim deck	BVIBRD10T-XX	BVIBRD10N-XX
Slim deck – Left	BVIBRB1LT-XX	BVIBRB1LN-XX
Slim deck – Right	BVIBRB1RT-XX	BVIBRB1RN-XX

THERMOMASSEUR (TMU)	
Hydro-thermo massage • Air jet system	\$
Jets	40
1 heated backrest	Included
MiaPlus® Control	Included
BU-Touch Control Application BUTOUCH	\$
Geysair®	Included
Illuzio Chromatherapy BCHRO6	\$

TUB	
Soaker	\$
Illuzio Chromatherapy BCHRO6	\$
WarmTouchShell® BWTS	\$
DOT control	Included with therapy

FEATURES

Installation type	Drop-in & Alcove (3 walls)		
No. of bathers	3	Imp. gallons	36
US gallons	44	Integrated tile flange	Included

INTEGRATED WASTE & OVERFLOW [BOVERINI-XX](#)

White 01 , Biscuit 02 , Chrome 07 , Brushed Nickel 09 , Polished Nickel 10 , Matte White with UltraVelour finish 32	Installed & Included
---	----------------------

STANDARD COLOR

 	Included
White 01 Biscuit 02	

OPTIONS (UPCHARGE APPLICABLE)

FINISH

UltraVelour Matte Finish (white only) [BVE1](#) \$

UNIVERSAL ARMRESTS [BGBGU-XX](#) **NEW**

White [01](#) \$

SKIRT MULTIFIT (standard 1 1/2" deck only) [BSMUL-XX](#)

White [01](#), Biscuit [02](#) \$

INTEGRATED WASTE & OVERFLOW [BOVERINI-XX](#)

Matte Black [19](#), Satin Brass [18](#) \$

IF REQUIRED BY CONSTRUCTION CODE

Brass waste & overflow kit [BDRCOB](#) \$

Brass waste kit [BDRCB](#) \$



Don't forget that an integrated tile flange is available at no extra cost.

You must specify drain position (right or left).

With the control on the deck, a complete shower door cannot be installed.

Don't forget to specify the finish of the integrated waste & overflow.

Don't forget to specify the deck height (1 1/2" or 1 1/2").

TOTAL PRICE	\$
--------------------	----

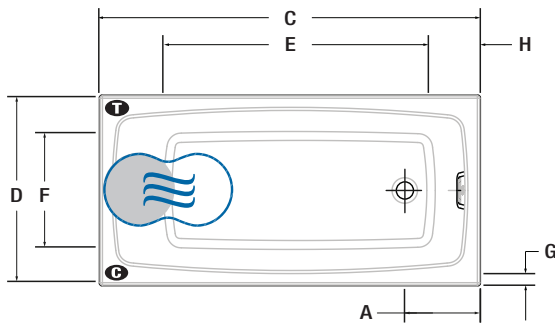


VIBE 6030

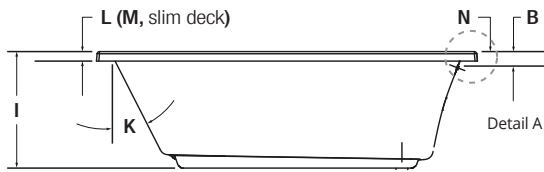


INSTALLATION

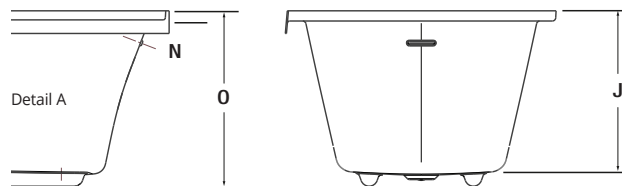
Control should always be installed on the opposite side of the tile flange



Without tile flange



With tile flange



LETTER	DESCRIPTION	MEASURE
A	Outside edge to center drain	10 7/8"
B	Outside edge to center of overflow	2 1/2"
C	Total length	60"
D	Total width	30"
E	Bathing well length	44"
F	Bathing well width	19 1/8"
G	Deck width	1 7/8"
H	Deck width at drain end	2"
I	Height from bottom of bath to top deck	18 1/2"
J	Height from drain to center of overflow	14 1/2"
K	Slope of backrest	27°
L	Height from bottom of deck to top std deck	1 1/2"
M	Height from bottom of deck to top slim deck	1/2"
N	Tile flange height	1"
O	Height of bath from bottom of bath to top of tile flange	19 1/2"

- C** Control position when factory-installed (Mia® or DOT)
- T** Turbine position (TMU)
- Indicates heated backrest (TMU)
- ☉ Indicates WarmTouchShell® position (TUB)

TECHNICAL SPECIFICATIONS

Hot water supply required	The hot water supply should be 70% or more of the bath's total water capacity.
Turbine	Access to the pump must be at least 18" x 22". Standard connection is 20 A, 120 V, 60 Hz , dedicated line with a Ground-Fault Circuit Interrupter (GFCI). For any additional option, a second line is needed 15 A, 120 V, 60 Hz , dedicated line with a GFCI. Air vent necessary: 2" x 4" minimum.
Others	<ul style="list-style-type: none"> - The Geysair is located on the same side as the heated backrest. It must NOT be relocated. It must be connected to the hot water supply and be accessible (provide access). - Turbine must be remotely installed in certain conditions. - Integrated tile flange is included (specify right or left).
Our products must be installed by certified professionals only and according to our Owner's Manual as well as federal, provincial/state and local building codes and regulations (www.bainultra.com/documentation/documentation).	

Cutting template	# 90000078
Approx. shipping weight	200 lbs
Turbine power	550 W
Air heater	600 W
WARRANTY	
Controls-LED-Geysair*	5 years
Bath & turbine*	20 years

* Some restrictions apply | www.bainultra.com/warranty

The specifications shown indicate the outer edge dimension and the inside bathing capacity dimension measured at air jets' height. The manufacturer accepts a 1/4" [0.64 cm] variance. There are variations on each product and specifications are subject to change as we improve upon our product as required. The dimensions needed for site preparation and structure building will differ. BainUltra® assumes no responsibility for preparatory work done prior to the product being on site.