

# ESTHESIA 6638

66" x 38" x 21"

Esthesia, the new expression of beauty in the world of therapeutic baths. Neoclassically inspired Esthesia baths boast clean, purely geometric designs.



Slim deck 1/2"

## PRODUCT NO.

MODEL	TMU	TUB
Standard 2" deck	BEAMRD00T-XX	BEAMRD00N-XX
Slim deck 1/2"	BEAMRD10T-XX	BEAMRD10N-XX

THERMOMASSEUR (TMU) Hydro-thermo massage • Air jet system	\$
Jets	38
1 heated backrest	Included
MiaPlus® Control	Included
BU-Touch Control Application <b>BUTOUCH</b>	\$
Geysair®	Included
AromaCloud® <b>BAROMAC</b>	\$
Illuzio Chromatherapy <b>BCHRO6</b>	\$
2 <sup>nd</sup> heated backrest (WTS-1 zone) <b>BSHB</b>	\$

TUB Soaker	\$
AromaCloud® <b>BAROMAC</b>	\$
Illuzio Chromatherapy <b>BCHRO6</b>	\$
WarmTouchShell® <b>BWTS</b>	\$
DOT control	Included with therapy
2 <sup>nd</sup> WarmTouchShell® <b>BWTS2</b>	\$

## FEATURES

Installation type	Drop-In		
No. of bathers		Imp. gallons	49
US gallons	59		
INTEGRATED WASTE & OVERFLOW <b>BOVERINI-XX</b>			
White <b>01</b> , Biscuit <b>02</b> , Chrome <b>07</b> , Brushed Nickel <b>09</b> , Polished Nickel <b>10</b> , Matte White with UltraVelour finish <b>32</b>			Installed & Included
STANDARD COLOR			
		Included	
White <b>01</b>	Biscuit <b>02</b>		

## OPTIONS (UPCHARGE APPLICABLE)

FINISH	
UltraVelour Matte Finish (white only) <b>BVEL1</b>	\$
UNIVERSAL ARMRESTS <b>BGBGU-XX NEW</b>	
White <b>01</b>	\$
INTEGRATED WASTE & OVERFLOW <b>BOVERINI-XX</b>	
Matte Black <b>19</b> , Satin Brass <b>18</b>	\$
IF REQUIRED BY CONSTRUCTION CODE	
Brass waste & overflow kit <b>BDRCOB</b>	\$
Brass waste kit <b>BDRCB</b>	\$

Don't forget to specify the **finish of the integrated waste & overflow**. Don't forget to specify the deck height (1/2" or 2").

**TOTAL PRICE** \$

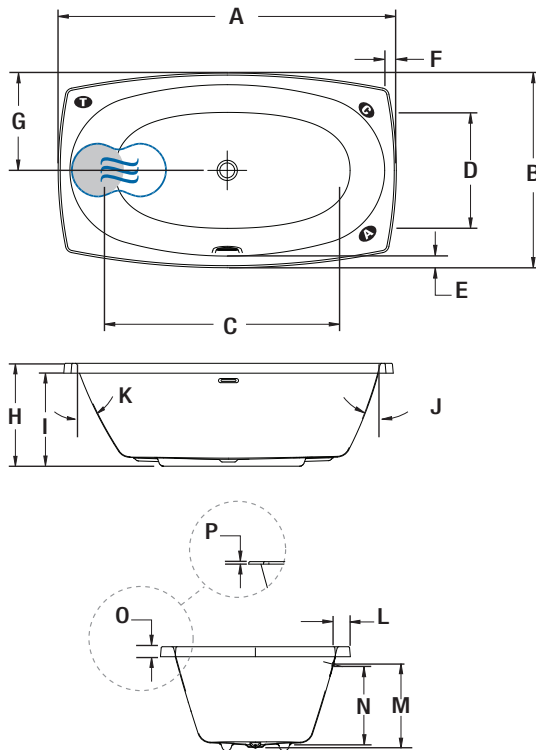


**ESTHESIA** 6638



Standard deck 2"

**INSTALLATION**



LETTER	DESCRIPTION	MEASURE
A	Total length	66"
B	Total width	38"
C	Bathing well length	47 3/8"
D	Bathing well width	23"
E	Deck width (narrowest point)	2 5/8"
F	Deck width at 2 <sup>nd</sup> backrest	2 5/8"
G	Deck to drain center	19"
H	Total height	21"
I	Height from bottom of bath to bottom of standard deck 2"	19"
J	Slope of 2 <sup>nd</sup> backrest	21°
K	Slope of backrest	26°
L	Deck to edge of overflow	3 1/2"
M	Height from drain to center of overflow	16 5/8"
N	Maximum water level	15 7/8"
O	Height from bottom to top of deck	2"
P	Height from bottom to top of slim deck	1/2"

- A** AromaCloud® position
- C** Control position when factory-installed (Mia® or DOT)
- T** Turbine position (TMU)
- Indicates heated backrest (TMU)
- ☁ Indicates WarmTouchShell® position (TUB)

**TECHNICAL SPECIFICATIONS**

<b>Hot water supply required</b>	The hot water supply should be 70% or more of the bath's total water capacity.
<b>Turbine</b>	Access to the pump must be at least 18" x 22". <b>Standard connection is 20 A, 120 V, 60 Hz</b> , dedicated line with a Ground-Fault Circuit Interrupter (GFCI). <b>For any additional option, a second line is needed 15 A, 120 V, 60 Hz</b> , dedicated line with a GFCI. Air vent necessary: 2" x 4" minimum.
<b>Other</b>	- The Geysair is located on the same side as the heated backrest. It must <b>NOT be relocated</b> . It must be <b>connected to the hot water supply</b> and be accessible (provide access).

Our products must be installed by certified professionals only and according to our Owner's Manual as well as federal, provincial/state and local building codes and regulations ([www.bainultra.com/documentation/documentation](http://www.bainultra.com/documentation/documentation)).

<b>Cutting template</b>	# 90000066
<b>Approx. shipping weight</b>	120 lbs
<b>Turbine power</b>	550 W
<b>Air heater</b>	600 W
<b>WARRANTY</b>	
Controls-LED-Geysair*	5 years
Bath & turbine*	20 years

\* Some restrictions apply | [www.bainultra.com/warranty](http://www.bainultra.com/warranty)

The specifications shown indicate the outer edge dimension and the inside bathing capacity dimension measured at air jets' height. The manufacturer accepts a 1/4" [0.64 cm] variance. There are variations on each product and specifications are subject to change as we improve upon our product as required. The dimensions needed for site preparation and structure building will differ. BainUltra® assumes no responsibility for preparatory work done prior to the product being on site.