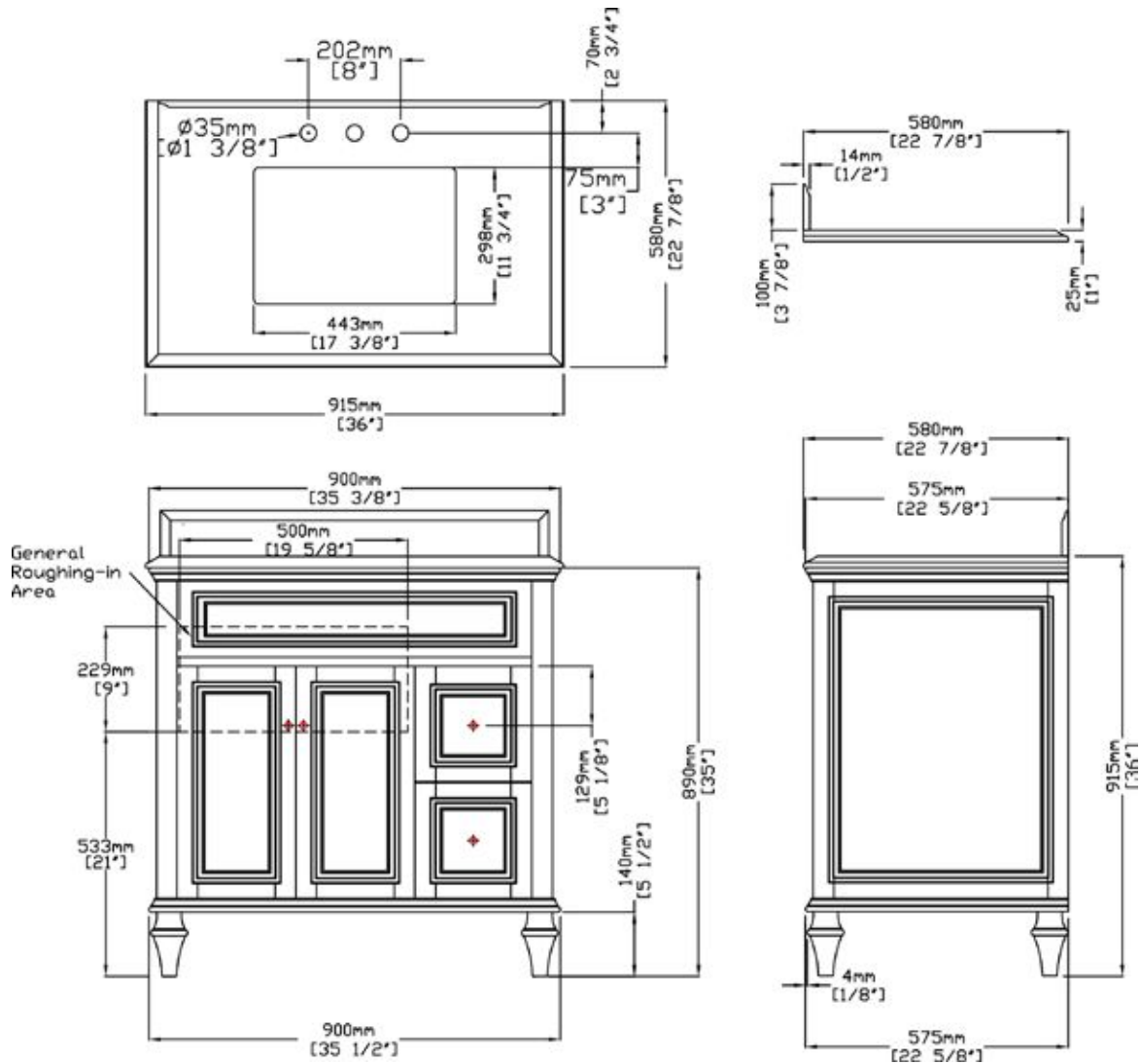


PRODUCT SPECIFICATIONS

Dimensional Diagram(s)



Wood is a beautiful natural material. The figuring (grain) of each piece is unique to every vanity produced. Every vanity will contain a different figure, birdseye knots and heartwood streaks. These are not considered defects, but natural unique character. There will also be a natural aging of every wood species over time which changes the overall color of the vanity. In most instances, this will be a darkening of dark woods and a yellowing of light woods. Direct sunlight will hasten this effect. Given this natural beauty, no two vanities will exactly match in figure or color (if stained or clear-coated). Samples may differ.

Stone products will have naturally occurring characteristics such as variation in grain, color, and mineral streaks. Due to this natural beauty, new and/or replacement pieces may not match display samples and/or existing pieces.