

Features

- Solid brass construction
- One piece cast spout design
- Base with integral O-ring deck seal
- Enhanced dispensing volume pump
- Removable spout for above deck refilling
- 13 fluid oz. (384 ml) capacity bottle included
- 1-13/16" (4.6 cm) spout height at outlet
- 3-3/4" (9.6 cm) spout reach (c-c)
- Complements Gavin Series

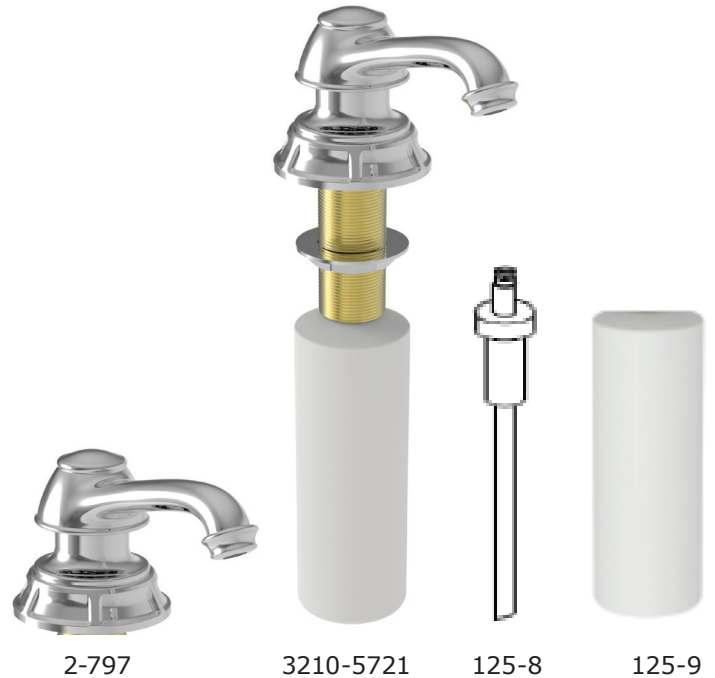
Codes / Standards Compliance

- Meets or exceeds the following at date of manufacture:
- All applicable US Federal and State material regulations

Colors / Finishes

- 10B: Oil Rubbed Bronze
- 15: Polished Nickel
- 15S: Satin Nickel - PVD
- 26: Polished Chrome
- Other: Refer to the Newport Brass catalog for additional color/finish options.

Soap/Lotion Dispenser
3210-5721



Specified Model

Model	Description	Colors Finishes
3210-5721	Soap/Lotion Dispenser	<input type="checkbox"/> 10B <input type="checkbox"/> 15 <input type="checkbox"/> 15S <input type="checkbox"/> 26 <input type="checkbox"/> Other
2-797	Soap / Lotion Replacement Pump Head	<input type="checkbox"/> 10B <input type="checkbox"/> 15 <input type="checkbox"/> 15S <input type="checkbox"/> 26 <input type="checkbox"/> Other
125-8	Soap / Lotion Replacement Pump	
125-9	Soap / Lotion Replacement Bottle	

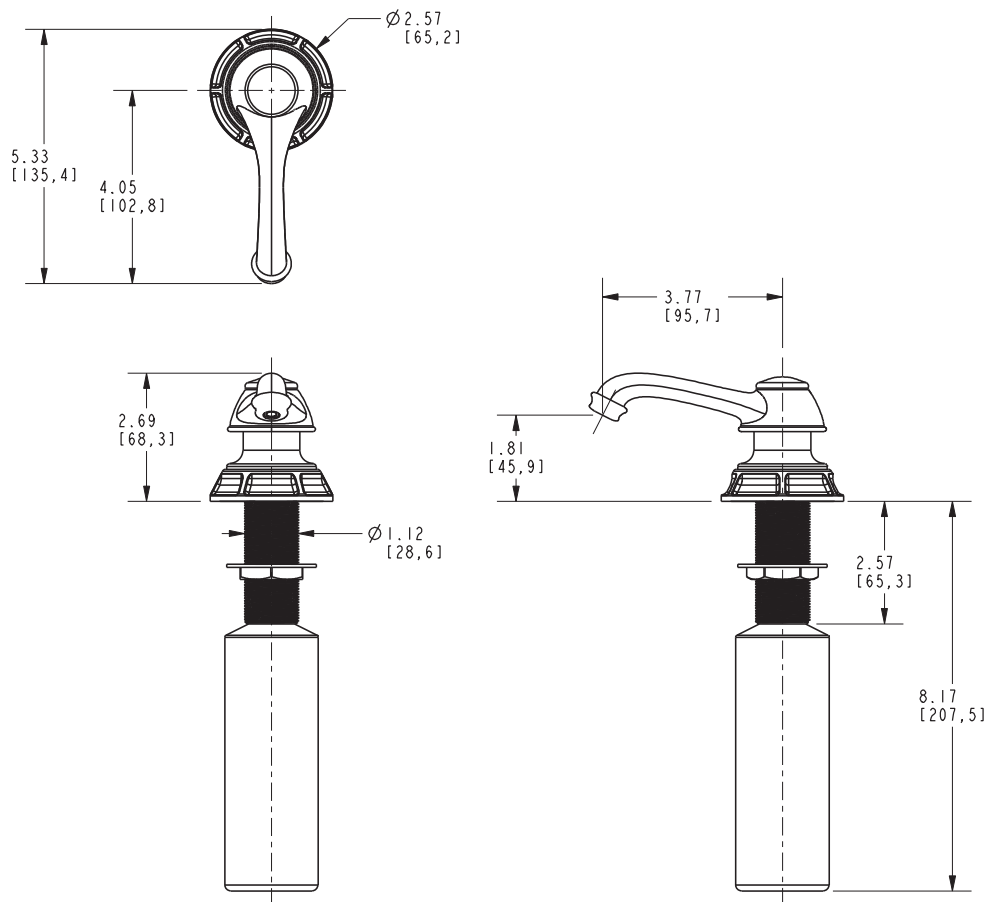
* Note: Requires 1-1/4" to 1-11/16" through hole. Accommodates 2-1/4" maximum deck thickness.

Product Specification Add "Color / Finish" suffix to Model number, below.

The Soap / Lotion Dispenser shall be made of solid brass construction. Dispenser shall incorporate a removable top spout assembly for easy refilling access. Dispenser shall incorporate a refillable 13 fluid ounce (384 ml) capacity container. Product shall incorporate a 1-13/16" (4.6 cm) spout height at outlet and a 3-3/4" (9.6 cm) spout reach (c-c). Soap / Lotion Dispenser shall be Newport Brass Model 3210-5721/____.

3210-5721

PRODUCT DIMENSIONS *(Units are in inches)*



Gavin Soap/Lotion Dispenser
3210-5721