

TS171

Square Pressure Balance Shower Trim Kit

artos®

OPERATING SPECIFICATIONS



INCLUDES

Showerhead & Arm
Valve Trim

OPERATING PRESSURE

Minimum: 15 psi
Maximum: 125 psi
Above 90psi it may be necessary to install
a pressure reducer



OPERATING TEMPERATURE

Maximum: 176°

FLOW CAPACITY

Shower Head: 1.8 USGPM

STANDARDS

ASSE 1016-2011 | ASME_A112.1016-2011 |
CSA B125:16-11



TS171

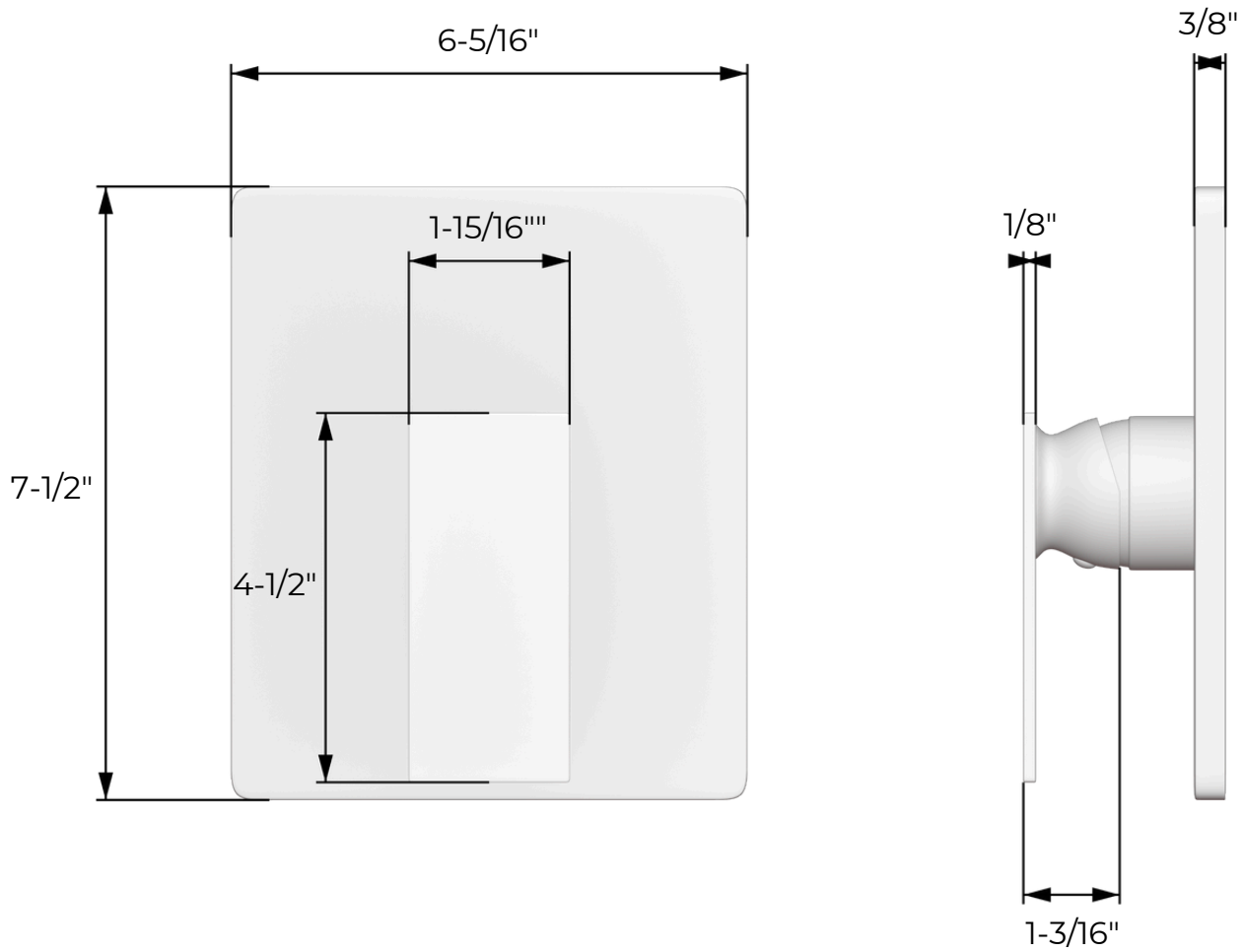
Square Pressure Balance Shower Trim Kit

artos®

PRODUCT DIMENSIONS

PRODUCT SKU

F962SQTK



TS171

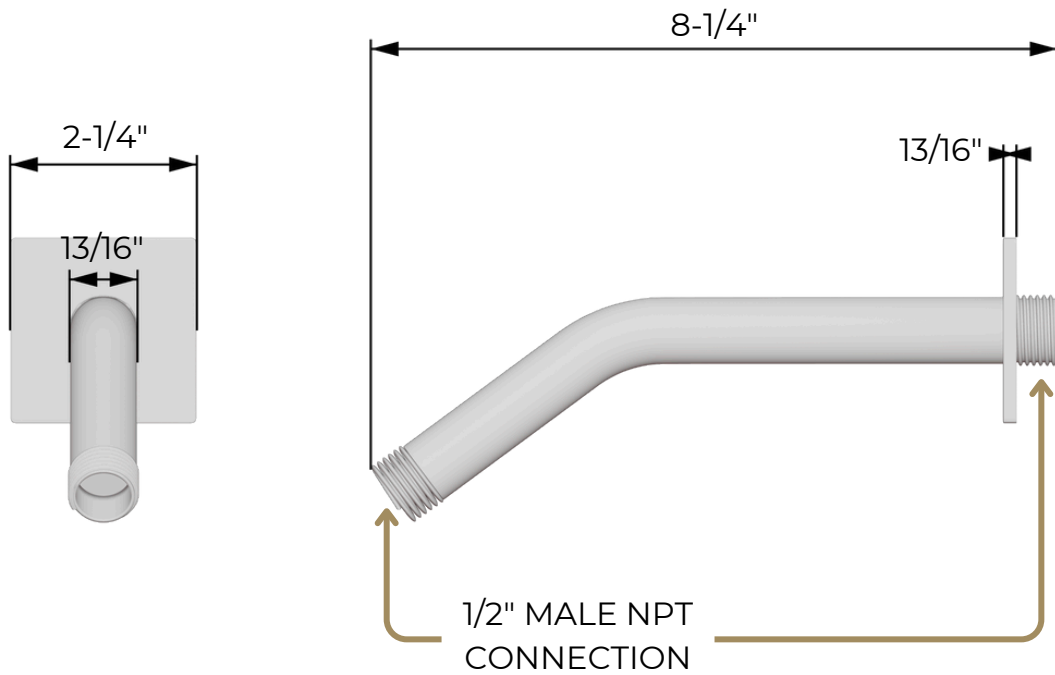
Square Pressure Balance Shower Trim Kit

artos®

PRODUCT DIMENSIONS

PRODUCT SKU

F902-28



TS171

Square Pressure Balance Shower Trim Kit

artos®

PRODUCT DIMENSIONS

PRODUCT SKU

F901-20

