

F907-12/5

Square 12" Rain Shower Head on Ceiling
Mount Arm

artos®

OPERATING SPECIFICATIONS



OPERATING PRESSURE

Minimum: 15 psi

Maximum: 125 psi

Above 90psi it may be necessary to
install a pressure reducer

OPERATING TEMPERATURE

Maximum: 176°

FLOW CAPACITY

1.8 USGPM

F907-12/5

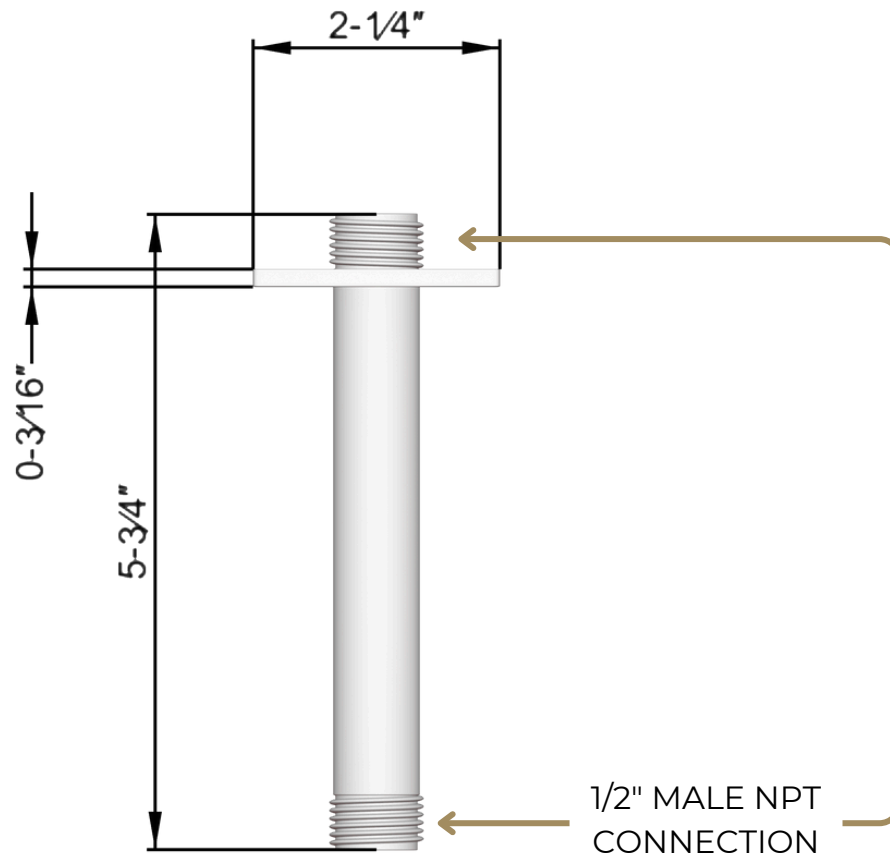
Square 12" Rain Shower Head on Ceiling
Mount Arm

artos®

PRODUCT DIMENSIONS

PRODUCT SKU

F902-30



F907-12/5

artos®

Square 12" Rain Shower Head on Ceiling
Mount Arm

PRODUCT DIMENSIONS

PRODUCT SKU

F901-6

