

# F907-51

Square 10" Rain Shower Head on Ceiling  
Mount Arm

artos®

## OPERATING SPECIFICATIONS

---



### OPERATING PRESSURE

Minimum: 15 psi

Maximum: 125 psi

Above 90psi it may be necessary to  
install a pressure reducer

### OPERATING TEMPERATURE

Maximum: 176°

### FLOW CAPACITY

1.8 USGPM

# F907-51

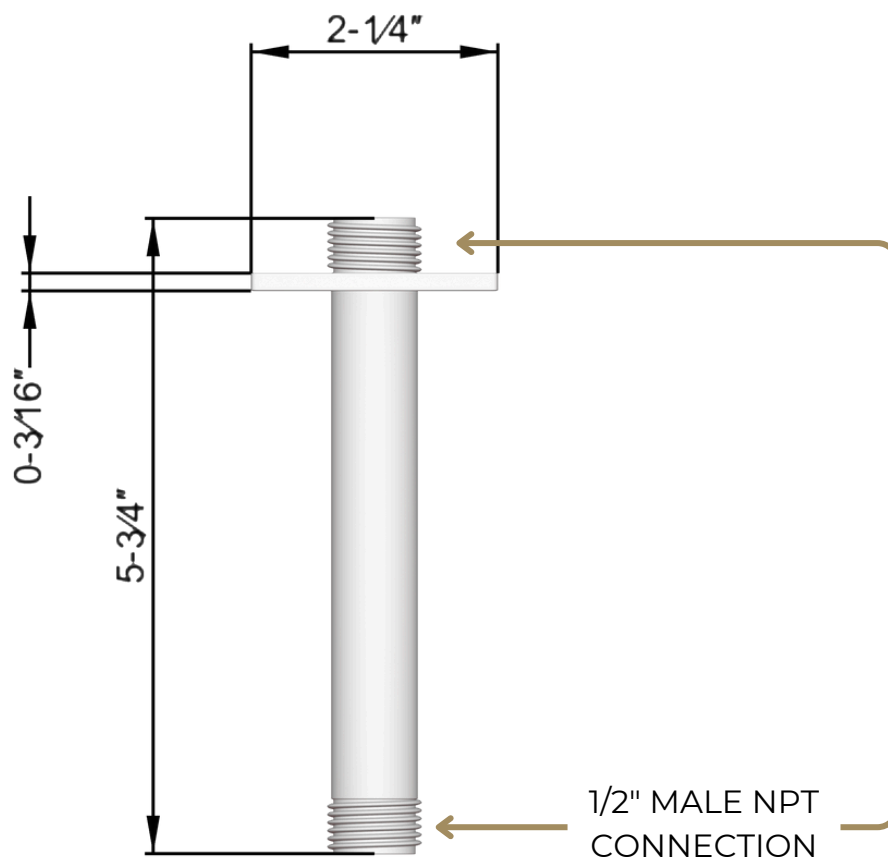
Square 10" Rain Shower Head on Ceiling  
Mount Arm

artos®

## PRODUCT DIMENSIONS

### PRODUCT SKU

F902-30



# F907-51

Square 10" Rain Shower Head on Ceiling  
Mount Arm

artos®

## PRODUCT DIMENSIONS

### PRODUCT SKU

F901-9

