

# TS073

Square + Round Thermostatic Shower Trim Kit  
with Hand Held Shower and Tub Filler

artos®

## OPERATING SPECIFICATIONS



### INCLUDES

Showerhead & Arm  
Valve Trim  
Handheld Shower  
Tub Filler

### OPERATING PRESSURE

Minimum: 15 psi  
Maximum: 125 psi  
Above 90psi it may be necessary to install  
a pressure reducer



### OPERATING TEMPERATURE

Maximum: 176°

### FLOW CAPACITY

Shower Head: 1.8 USGPM  
Handshower: 1.8 USGPM

### STANDARDS

ASSE 1016-2011 | ASME\_A112.1016-2011 |  
CSA B125:16-11



# TS073

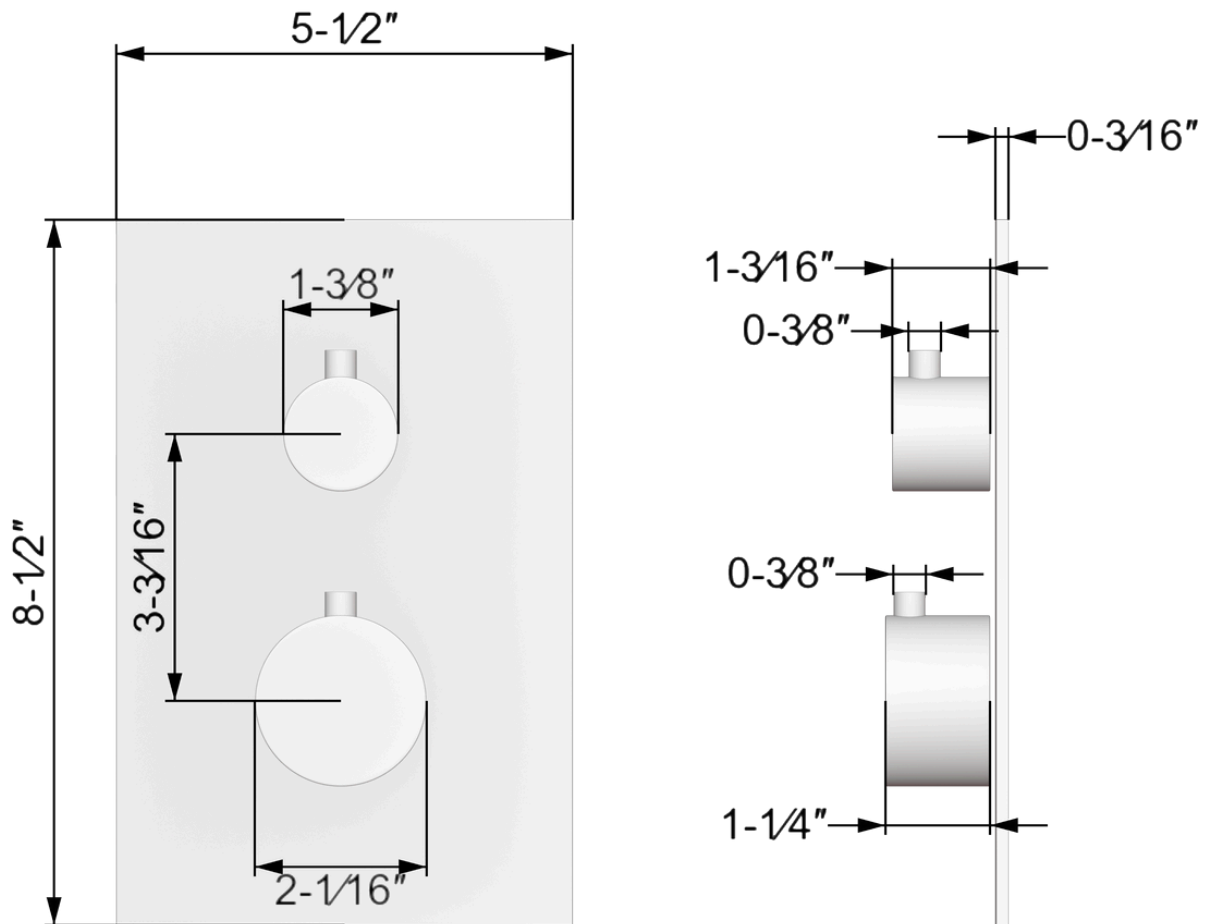
artos®

Square + Round Thermostatic Shower Trim Kit with Hand Held Shower and Tub Filler

## PRODUCT DIMENSIONS

### PRODUCT SKU

F903B-60TK



# TS073

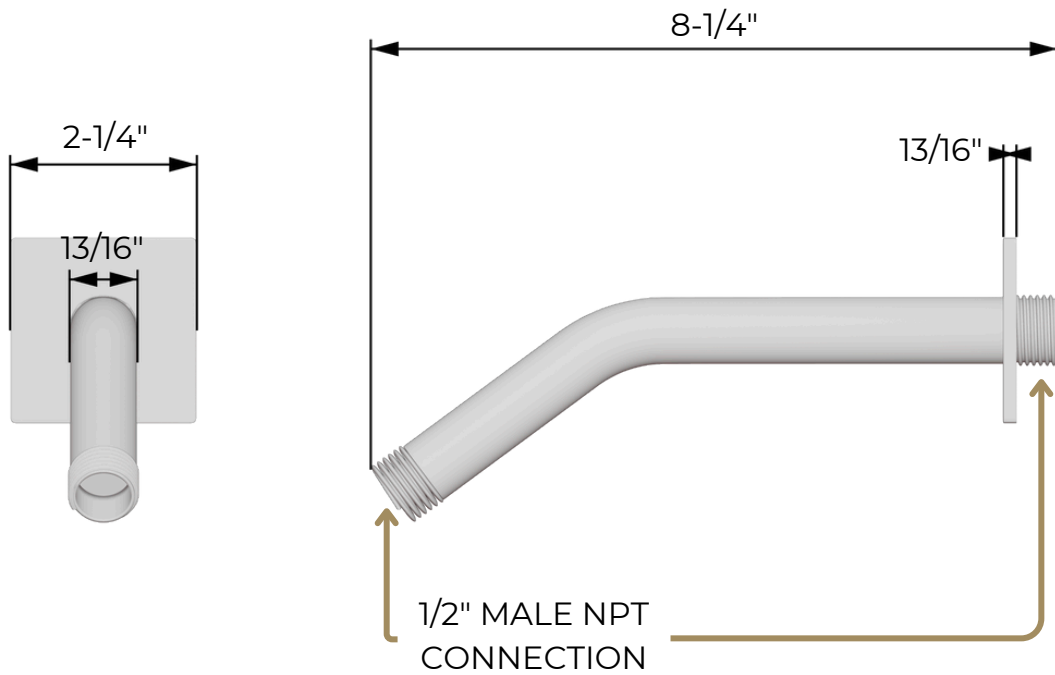
artos®

Square + Round Thermostatic Shower Trim Kit with Hand Held Shower and Tub Filler

## PRODUCT DIMENSIONS

### PRODUCT SKU

F902-28



# TS073

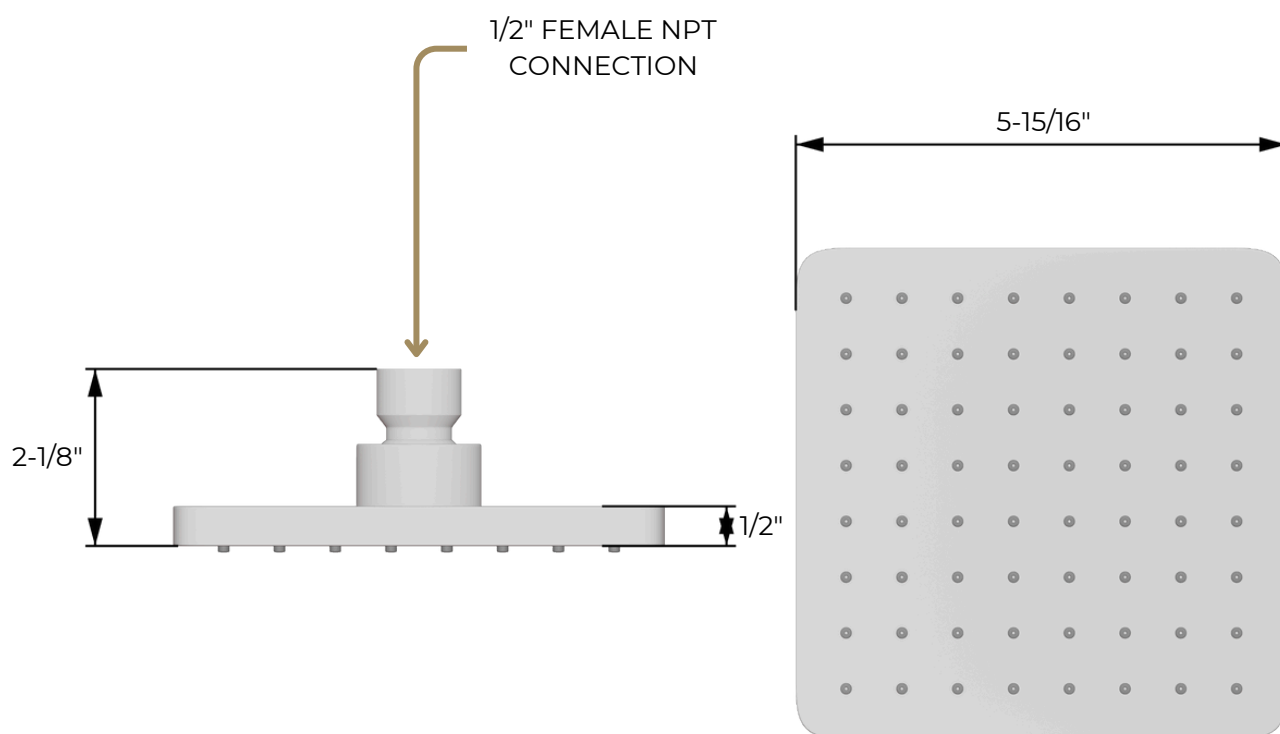
artos®

Square + Round Thermostatic Shower Trim Kit with Hand Held Shower and Tub Filler

## PRODUCT DIMENSIONS

### PRODUCT SKU

F901-20



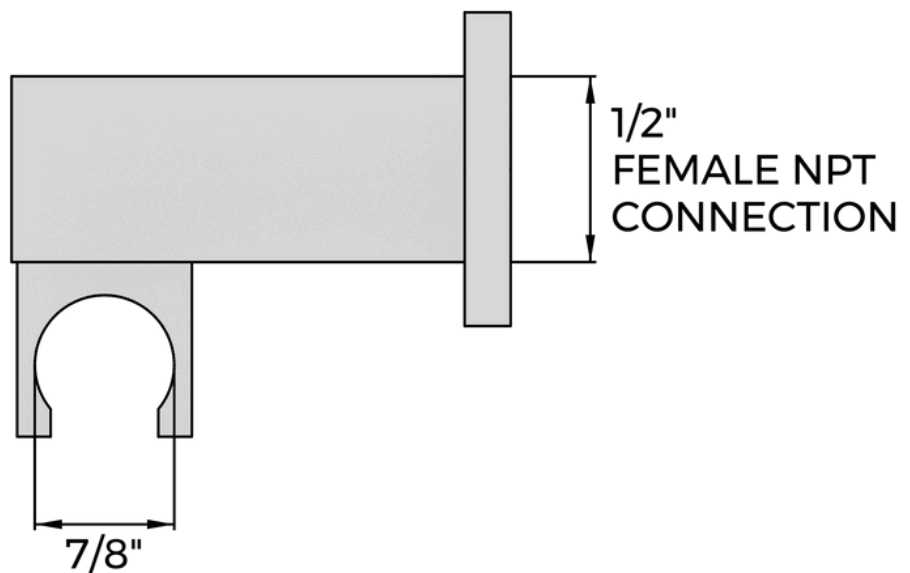
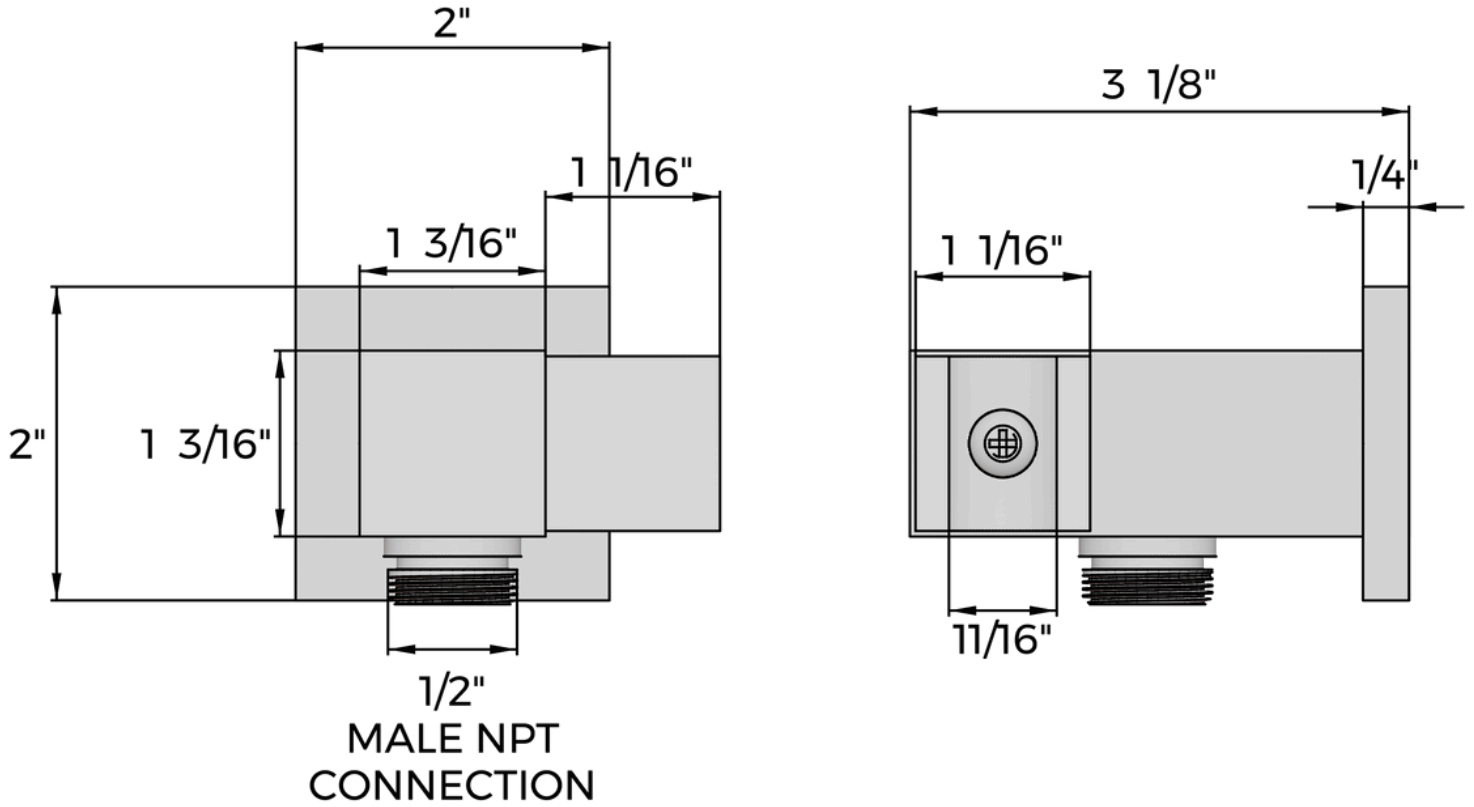
# TS073

artos®

Square + Round Thermostatic Shower Trim Kit with Hand Held Shower and Tub Filler

## PRODUCT DIMENSIONS

**PRODUCT SKU**  
FSC1002



# TS073

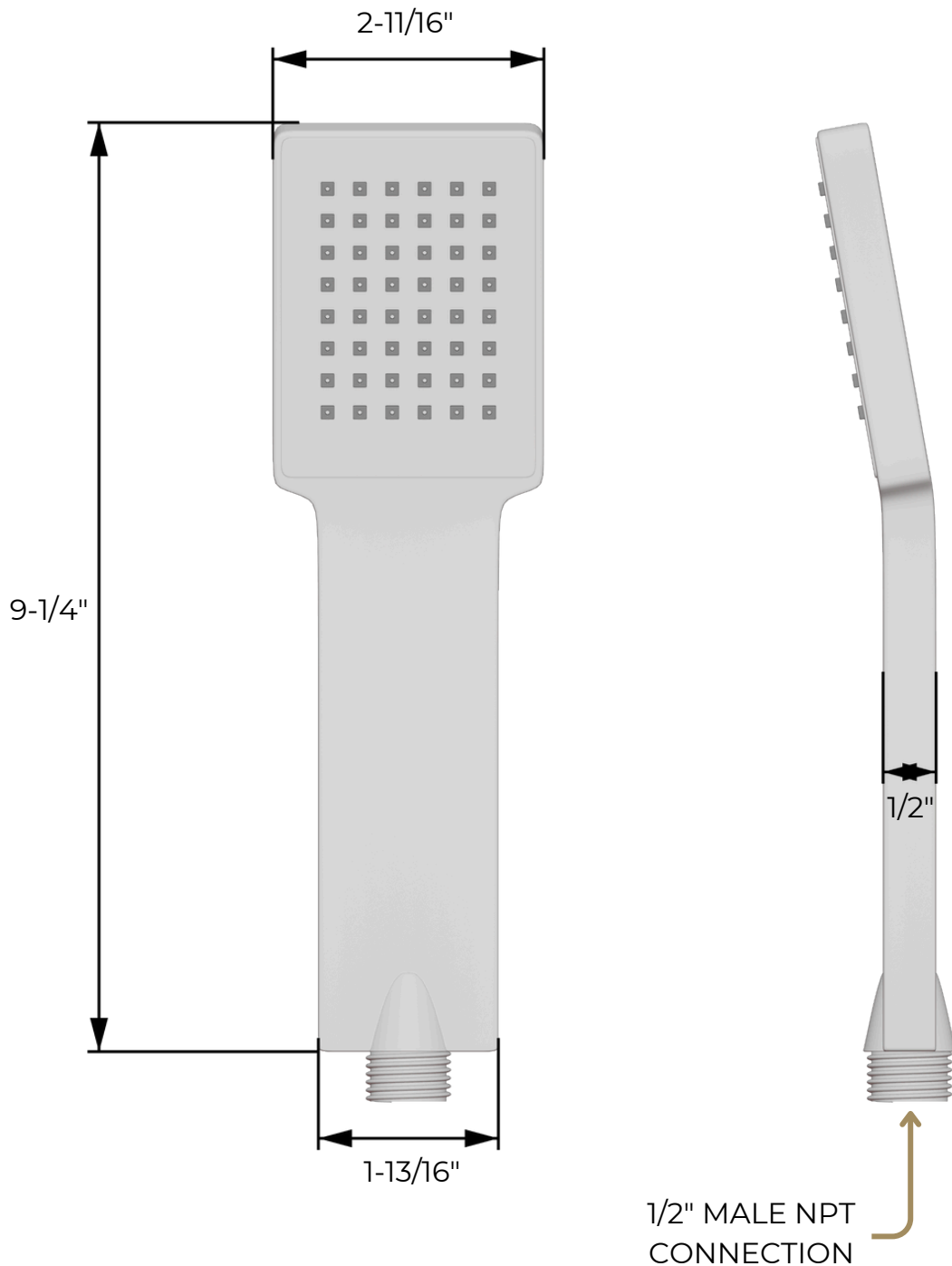
artos®

Square + Round Thermostatic Shower Trim Kit with Hand Held Shower and Tub Filler

## PRODUCT DIMENSIONS

### PRODUCT SKU

F902-15



# TS073

Square + Round Thermostatic Shower Trim Kit with  
Hand Held Shower and Tub Filler

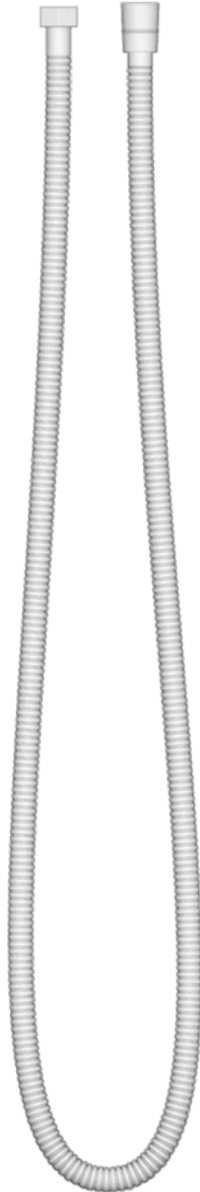
artos®

## PRODUCT DIMENSIONS

---

### PRODUCT SKU

F902-8



### METAL SHOWER HOSE

1/2" FEMALE NPT CONNECTIONS  
60" IN LENGTH

# TS073

artos®

Square + Round Thermostatic Shower Trim Kit with Hand Held Shower and Tub Filler

## PRODUCT DIMENSIONS

### PRODUCT SKU

F908-4

