

# TS081

artos®

Round Thermostatic Shower Trim Kit with Hand  
Held Shower

## OPERATING SPECIFICATIONS



### OPERATING PRESSURE

Minimum: 15 psi

Maximum: 125 psi

Above 90psi it may be necessary to  
install a pressure reducer

### OPERATING TEMPERATURE

Maximum: 176°

### FLOW CAPACITY

Shower Head: 1.8 USGPM

Handshower: 1.8 USGPM



### STANDARDS

ASSE 1016-2011

ASME\_A112.1016-2011

CSA B125:16-11



# TS081

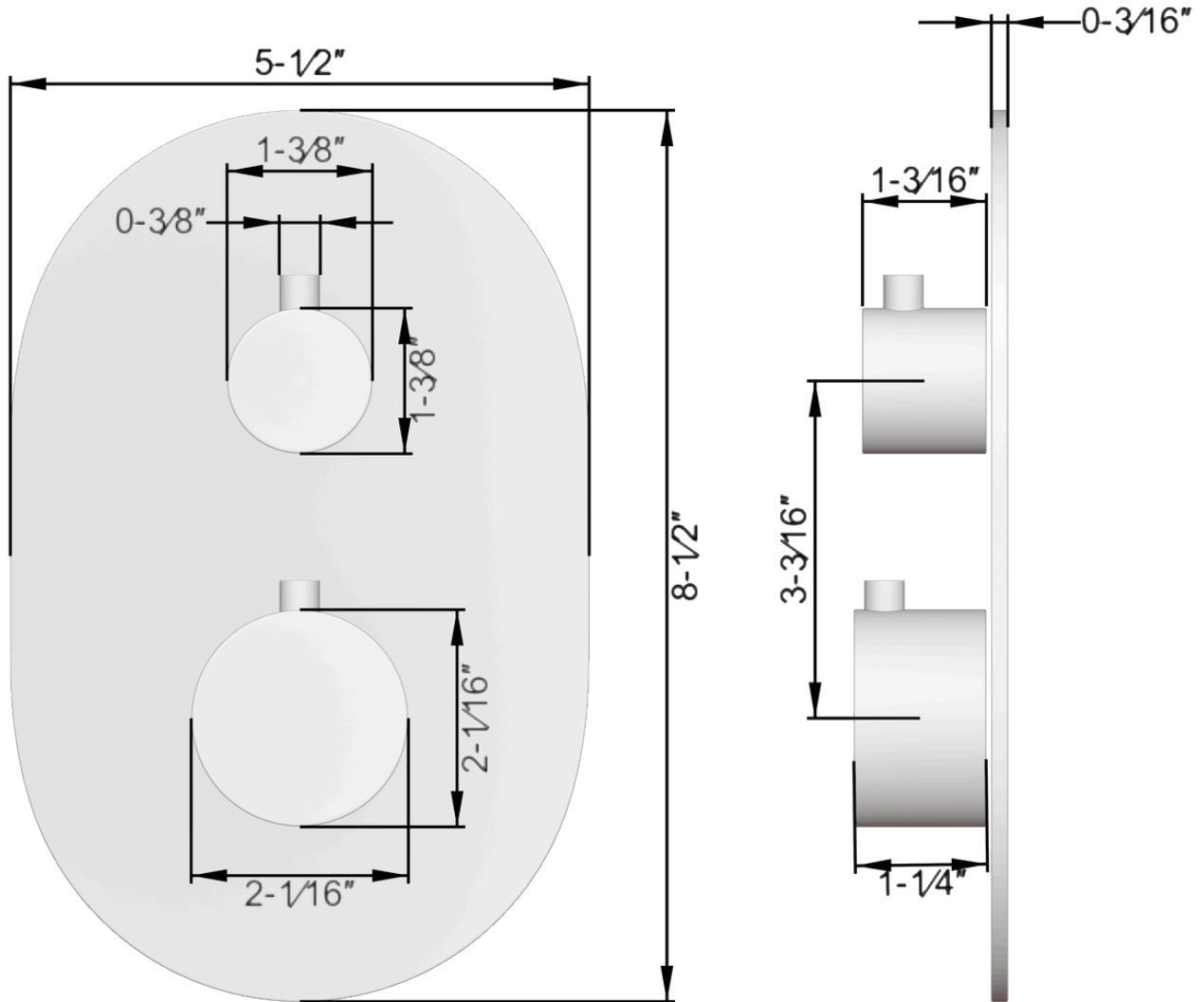
artos®

Round Thermostatic Shower Trim Kit with Hand Held Shower

## PRODUCT DIMENSIONS

### PRODUCT SKU

F903B-58TK



# TS081

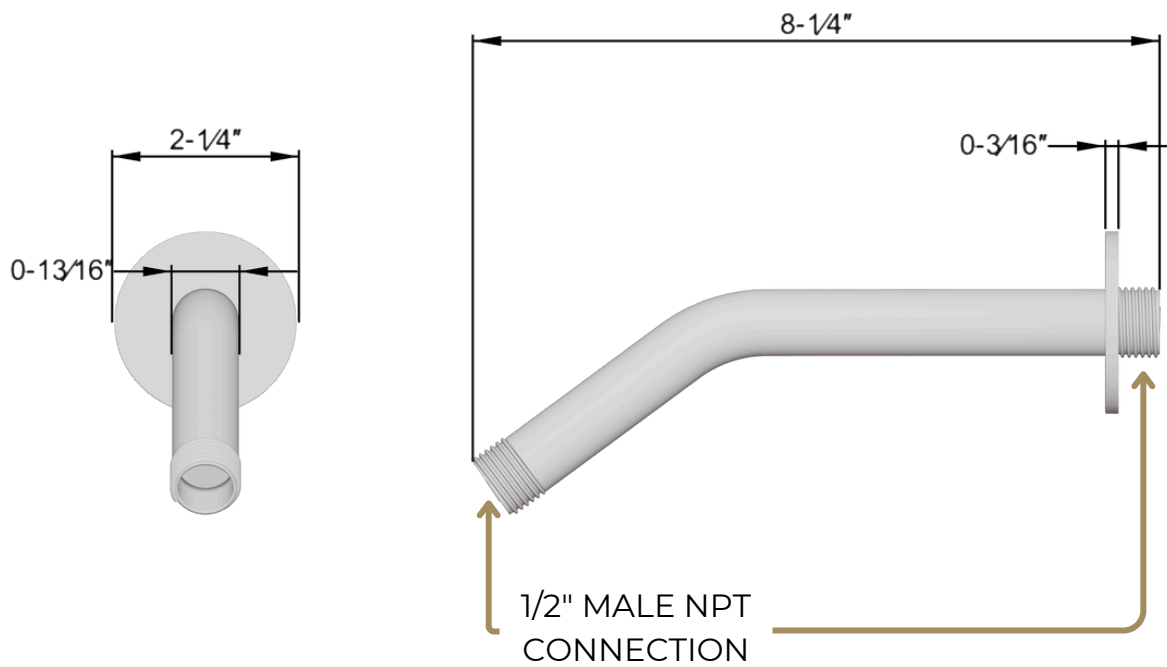
Round Thermostatic Shower Trim Kit with Hand Held Shower

artos®

## PRODUCT DIMENSIONS

### PRODUCT SKU

F902-11



# TS081

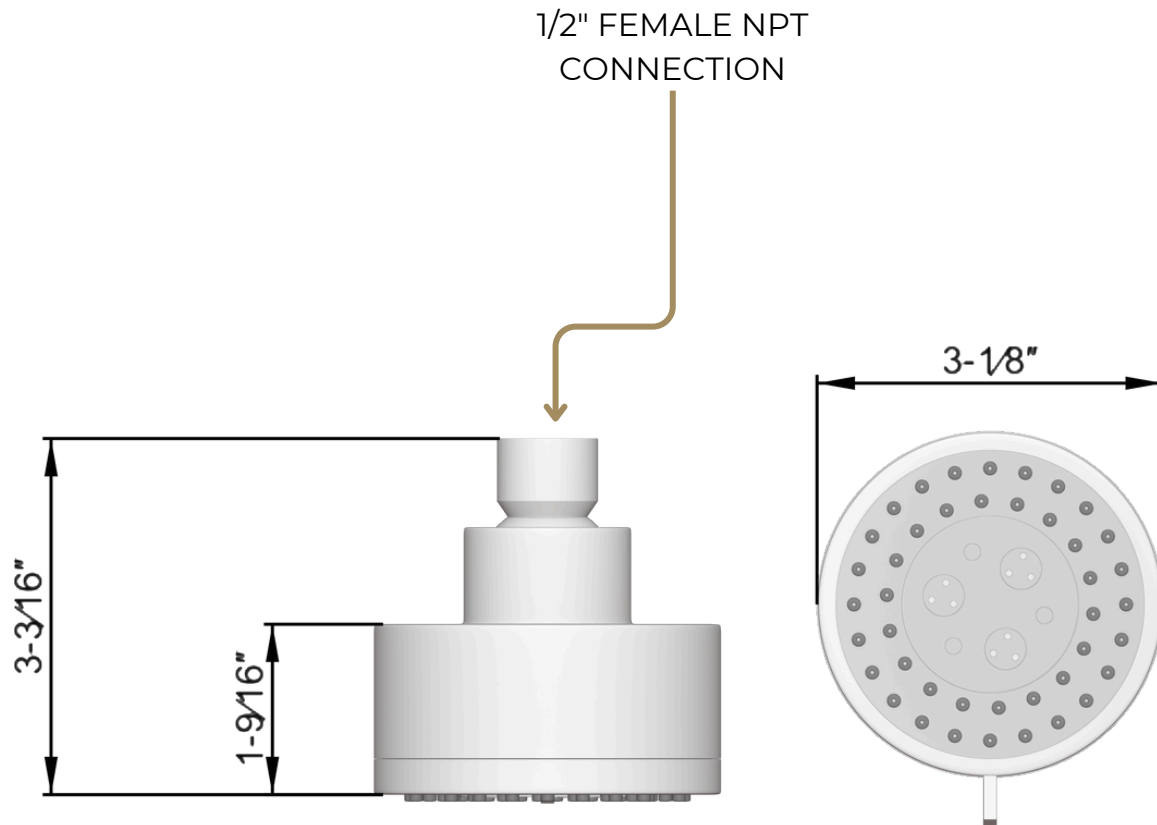
Round Thermostatic Shower Trim Kit with Hand Held Shower

artos®

## PRODUCT DIMENSIONS

### PRODUCT SKU

F902-26



# TS081

Round Thermostatic Shower Trim Kit with Hand Held Shower

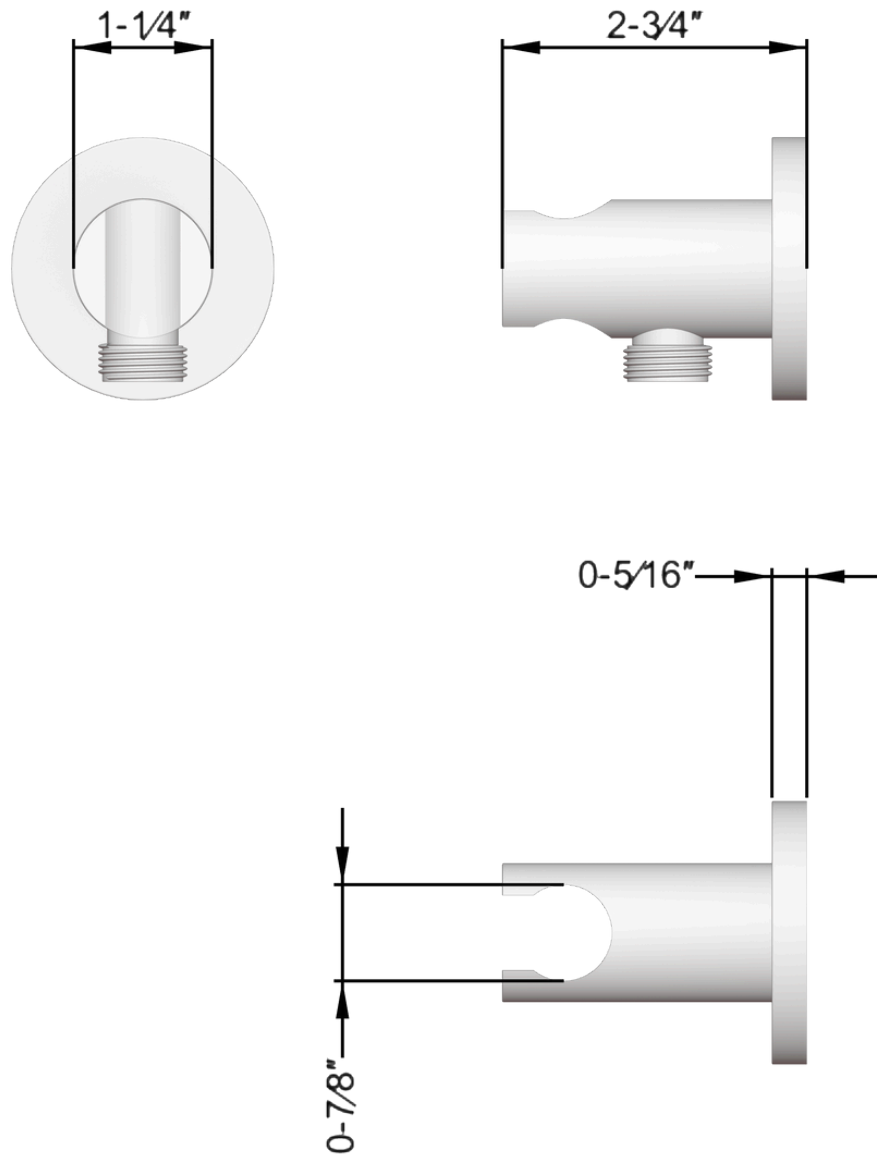
artos®

## PRODUCT DIMENSIONS

---

### PRODUCT SKU

F902-42



# TS081

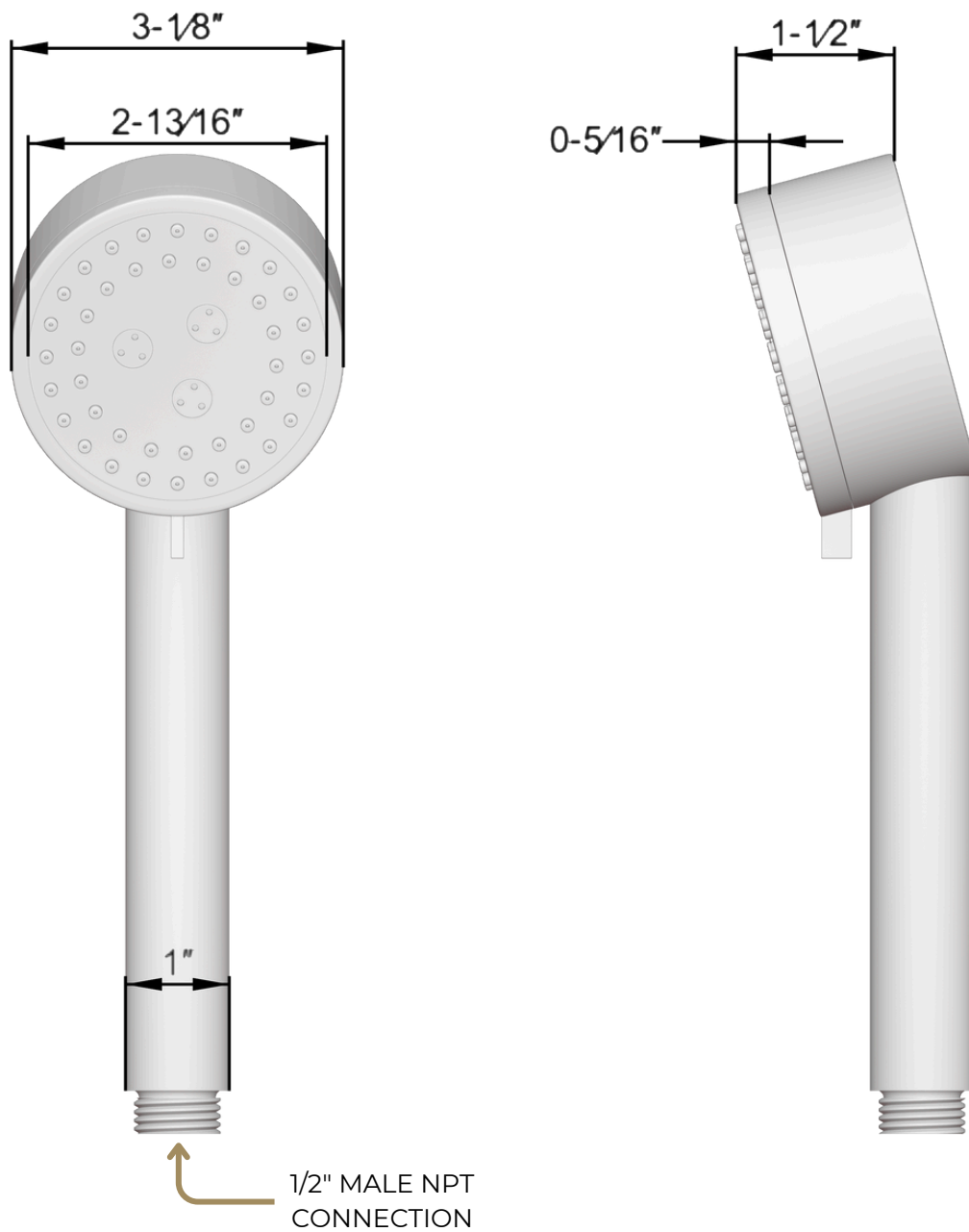
Round Thermostatic Shower Trim Kit with Hand Held Shower

artos®

## PRODUCT DIMENSIONS

### PRODUCT SKU

F902-23



# TS081

Round Thermostatic Shower Trim Kit with Hand  
Held Shower

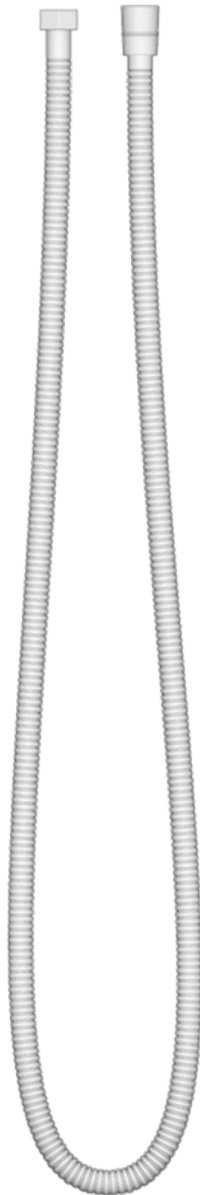
artos®

## PRODUCT DIMENSIONS

---

### PRODUCT SKU

F902-8



### METAL SHOWER HOSE

1/2" FEMALE NPT CONNECTIONS  
60" IN LENGTH