

**PRODUCT SPECIFICATIONS**


Elkay Lustertone Stainless Steel 25" x 21-1/4" x 6-1/2", Single Bowl Top Mount ADA Sink with Perfect Drain. Sink is manufactured from 18 gauge 304 Stainless Steel with a Lustertone finish, Rear Center drain placement, and Bottom only pads.

<b>Installation Type:</b>	Top Mount
<b>Material:</b>	304 Stainless Steel
<b>Special Features:</b>	Perfect Drain
<b>Finish:</b>	Lustertone
<b>Gauge:</b>	18
<b>Sound Deadening:</b>	Bottom only pads
<b>Number of Bowls:</b>	1
<b>Sink Dimensions:</b>	25" x 21-1/4" x 6-1/2"
<b>Bowl 1 Dimensions:</b>	21" x 15-3/4" x 6-3/8"
<b>Drain Size:</b>	3-3/8" (86mm)
<b>Drain Location:</b>	Rear Center
<b>Minimum Cabinet Size:</b>	30"
<b>Mounting Hardware:</b>	Part # 64090012 included for countertops up to 3/4" (19mm) thick
<b>Cutout Template #:</b>	<a href="#">1000001245</a>

Template is available for download at [elkay.com](#)

**Cutout Dimensions for Top Mount Installation:**

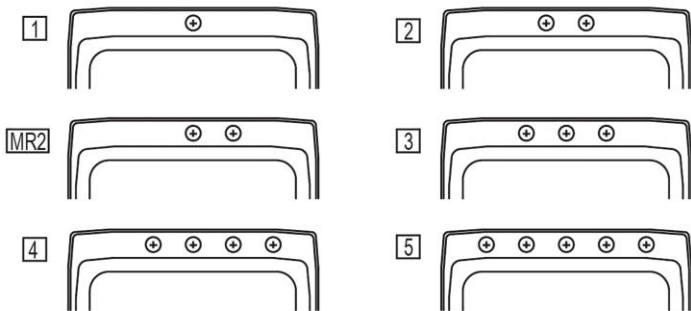
24-3/8" x 20-5/8" (619mm x 524mm) with 1-1/2" (38mm) corner radius

 This sink is compliant to ADA and ANSI/ICC A117.1 accessibility requirements when installed according to the requirements outlined in these standards.

**Perfect Drain:** Seamlessly welded stainless steel collar eliminates the gap between a traditional drain and the sink for a sanitary and gap free installation. An InSinkErator® garbage disposer can be installed on either sink bowl for user convenience. **Patent Pending**

**Hole Drilling Configurations:**

1-1/2" (38mm) Diameter Faucet Holes on 4" (102mm) Centers



PART: \_\_\_\_\_ QTY: \_\_\_\_\_

PROJECT: \_\_\_\_\_

CONTACT: \_\_\_\_\_

DATE: \_\_\_\_\_

NOTES: \_\_\_\_\_


APPROVAL: \_\_\_\_\_



**Included with Product:** One LKPD1 Perfect Drain and Strainer

AMERICAN PRIDE. A LIFETIME TRADITION. Like your family, the Elkay family has values and traditions that endure. For almost a century, Elkay has been a family-owned and operated company, providing thousands of jobs that support our families and communities.

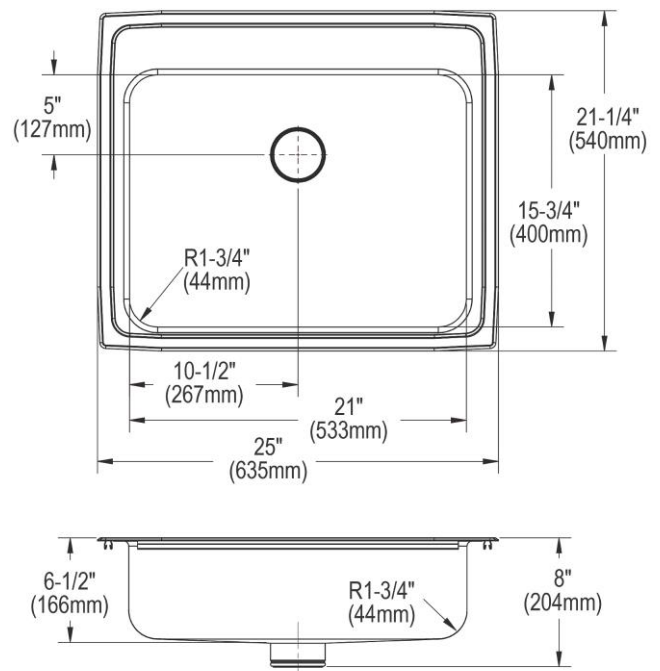


 Sinks are listed by IAPMO® as meeting the applicable requirements of the Uniform Plumbing Code®, International Plumbing Code®, and National Plumbing Code of Canada.

**Product Compliance:** ADA & ICC A117.1  
ASME A112.19.3/CSA B45.4  
BUY AMERICAN ACT  
Accessory: ASME A112.18.2/CSA B125.2

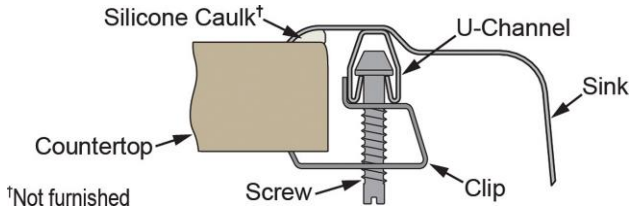
[Clean and Care Manual \(PDF\)](#)  
[Installation Instructions \(PDF\) - 74180147](#)  
[Installation Instructions \(PDF\) - 74180289 Disposer](#)  
[Installation Instructions \(PDF\) - 74180340-USA Drain](#)  
[Limited Lifetime Warranty \(PDF\)](#)

**Similar models are available with:** Quick-Clip Mounting System



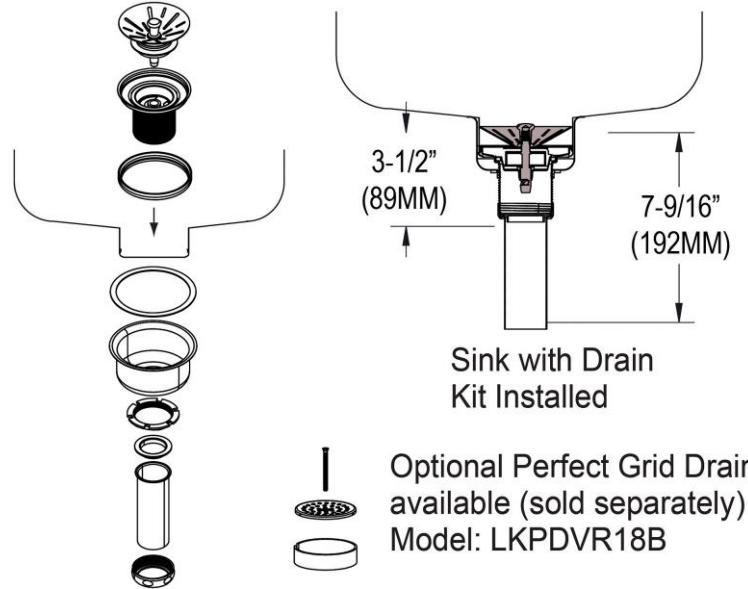
In keeping with our policy of continuing product improvement, Elkay reserves the right to change product specifications without notice. Please visit [elkay.com](#) for the most current version of Elkay product specification sheets. This specification describes an Elkay product with design, quality, and functional benefits to the user. When making a comparison of other producers' offerings, be certain these features are not overlooked.

**Installation Profile:**



**OPTIONAL ACCESSORIES**

<b>Bottom Grid:</b>	LKWOBG2115SS
<b>Cutting Board:</b>	CB1516
<b>Drain:</b>	LKPDVR18B, LKPDAD18B, LKDS99
<b>Faucet:</b>	LKGT1041, LKGT2041
<b>Hardware:</b>	LK364, LK463
<b>Rinsing Basket:</b>	LKWRB2115SS, LKWERBSS
<b>Sinkmate:</b>	LKSMHSL
<b>Soap Dispenser:</b>	LKGT1054



**in sink erator**<sup>®</sup>

Elkay<sup>®</sup> Perfect Drain<sup>™</sup> sinks are designed and approved for compatible disposers manufactured by InSinkErator<sup>®</sup> utilizing the Quick Lock<sup>®</sup> mounting configuration. Use of non-approved disposers may void Elkay warranty.

InSinkErator, Quick Lock and the mounting collar configuration are trademarks of Emerson Electric Co.

*In keeping with our policy of continuing product improvement, Elkay reserves the right to change product specifications without notice. Please visit [elkay.com](http://elkay.com) for the most current version of Elkay product specification sheets. This specification describes an Elkay product with design, quality, and functional benefits to the user. When making a comparison of other producers' offerings, be certain these features are not overlooked.*