

**30-6.1HS-TR24**

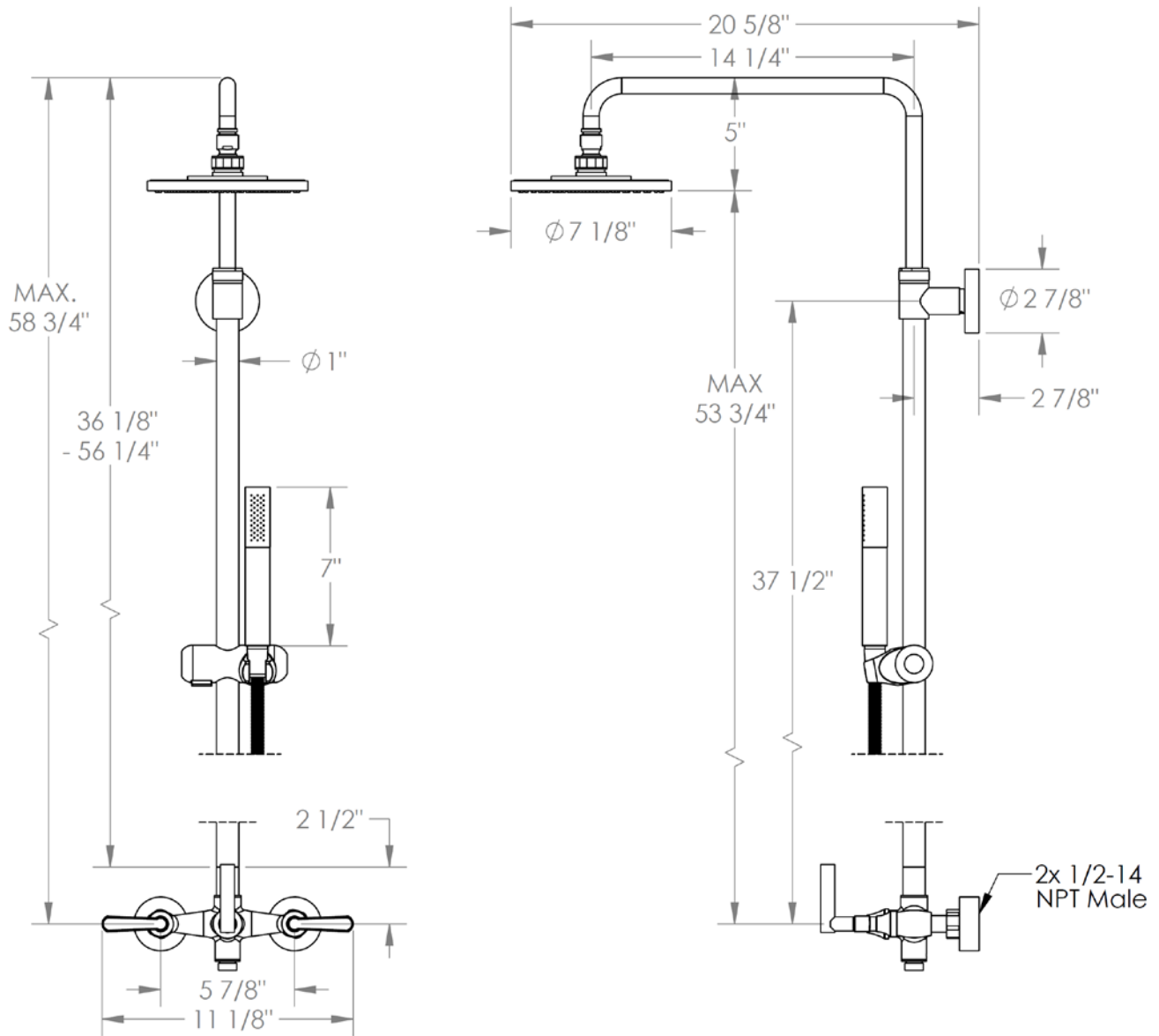
Wall Mounted Exposed Shower Set with Hand Shower  
Flow Rate: 1.75 GPM



Meets the applicable requirements of ASME A112.18.1-2005/CSA B125.1-05, entitled "Plumbing Supply Fittings"

**30-6.1HS-TR24**

Wall Mounted Exposed Shower Set with Hand Shower  
Flow Rate: 1.75 GPM



Meets the applicable requirements of ASME A112.18.1-2005/CSA B125.1-05, entitled "Plumbing Supply Fittings"