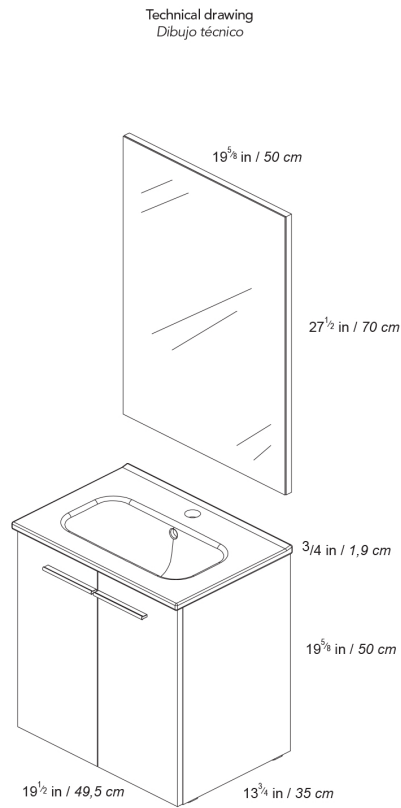


Technical features / Características técnicas

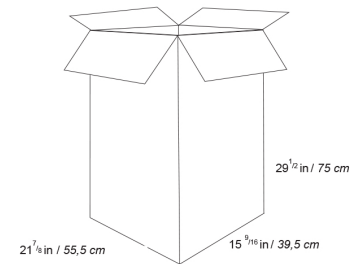
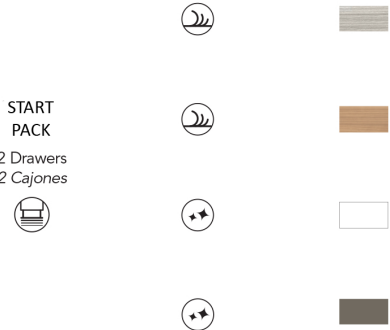


Name  
Nombre

Material  
Material

Colour  
Color

START  
PACK  
2 Drawers  
2 Cajones



START pack (unit + washbasin + mirror) all in one pack.  
El pack **START** (mueble + lavabo + espejo) está contenido en una única caja.

Technical information / Información técnica

STRUCTURE /  
ESTRUCTURA: High gloss lacquered 5/8 in. board and texturized melamine 5/8 in. board.  
Tablero de 16 mm. lacado alto brillo y tablero de 16 mm. melamina.

FRONT /  
FRENTE: High gloss lacquered 5/8 in. board and texturized melamine 5/8 in. board.  
Tablero de 16 mm. lacado alto brillo y tablero de 16 mm. melamina.

HANDLE /  
TIRADOR: Metallic handle in bright chrome finish.  
Tirador metálico en acabado cromo brillo.

HINGE /  
BISAGRA: 105° opening, Ø1 3/8 in. cap, easy assembly and soft close system.  
105° de apertura, cazoleta de Ø35 mm., montaje rápido y cierre amortiguado incorporado.

MIRROR /  
ESPEJO: Mirror 1/8 in. Rear part with 5/8 in. board.  
Espejo de 3 mm. Parte posterior con tablero de 16 mm.

WALL HANGING BRACKET /  
COLGADOR: Hidden hanging bracket for hidden installation with great resistance and depth and height regulations.  
Colgador oculto de montaje directo, con gran resistencia a cargas y regulación en profundidad y altura.

WASHBASIN /  
LAVABO: Ceramic washbasin with 14 3/16 in. dept.  
Lavabo cerámico con profundidad 36 cm.

Collection  
Start

Model |  
Start 50

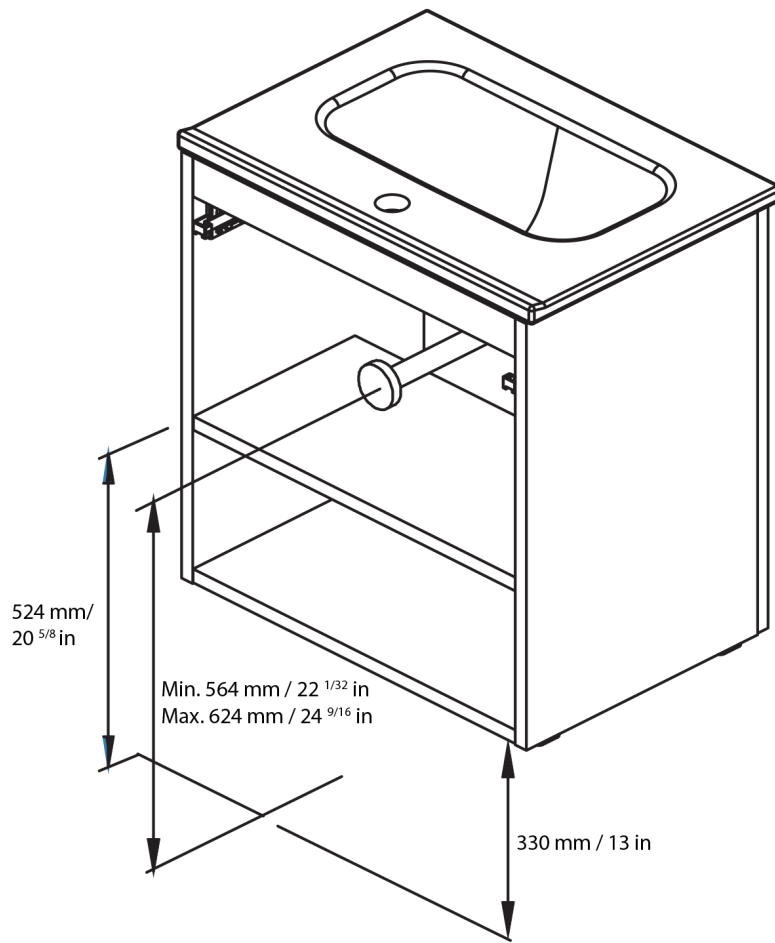
Dimensions Metric

1 inch = 2.54 cm  
1 inch = 25.4 mm

**WS**<sup>®</sup>  
BATH  
COLLECTIONS

1051 Lea Drive - Collegeville, PA 19426  
Tel. 215 513 9400 - Fax 610 831 0215

[www.ws bathcollections.com](http://www.ws bathcollections.com) - [info@ws bathcollections.com](mailto:info@ws bathcollections.com)



ES

EN

Las cotas indicadas en los dibujos son en función de la altura de la pata del conjunto, en caso de que el mueble vaya suspendido y esta altura no se respete, dichas cotas también variarán.

Dimensions indicated in the drawing are based on the level of the whole leg, in case of wall hanging the furniture dimensions also may vary.

Collection  
Start

Model |  
Start 50

Dimensions Metric

1 inch = 2.54 cm  
1 inch = 25.4 mm

**WS**®

**BATH  
COLLECTIONS**

1051 Lea Drive - Collegeville, PA 19426

Tel. 215 513 9400 - Fax 610 831 0215

[www.ws bathcollections.com](http://www.ws bathcollections.com) - [info@ws bathcollections.com](mailto:info@ws bathcollections.com)

We recommend the following items that work with your sink.

## TRAPS



WSBC 53922  
*Our best seller*

## DRAINS



WSBC 53991  
Push waste drain (click clack)  
*with overflow*

## MOUNTING HARDWARE

### Wall-mount installation

### Vessel/ countertop installation



Bolts



Silicone (*optional*)

Collection  
Start

Model |  
Start 50

Dimensions Metric

*1 inch = 2.54 cm*  
*1 inch = 25.4 mm*

**WS**®  
**BATH**  
**COLLECTIONS**

1051 Lea Drive - Collegeville, PA 19426  
Tel. 215 513 9400 - Fax 610 831 0215

[www.ws bathcollections.com](http://www.ws bathcollections.com) - [info@ws bathcollections.com](mailto:info@ws bathcollections.com)