

Talis C
Talis C Single-Hole Faucet, Open Spout
 Finishes : **chrome** Part no. : **14127001**



Description

Features

- Solid brass
- Non-aerated stream
- Flow: 1.2 GPM
- Ceramic cartridge
- Includes pop-up assembly

Optional accessories

- Base Plate for Traditional Single-Hole Faucets 6" (#14018USA)

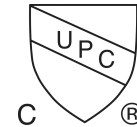
Item details

List Price \$ 440.00

Technology



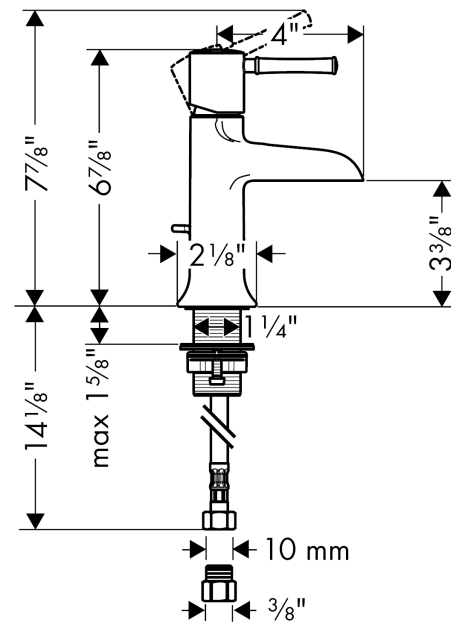
Compliance



Product image



Scale drawing

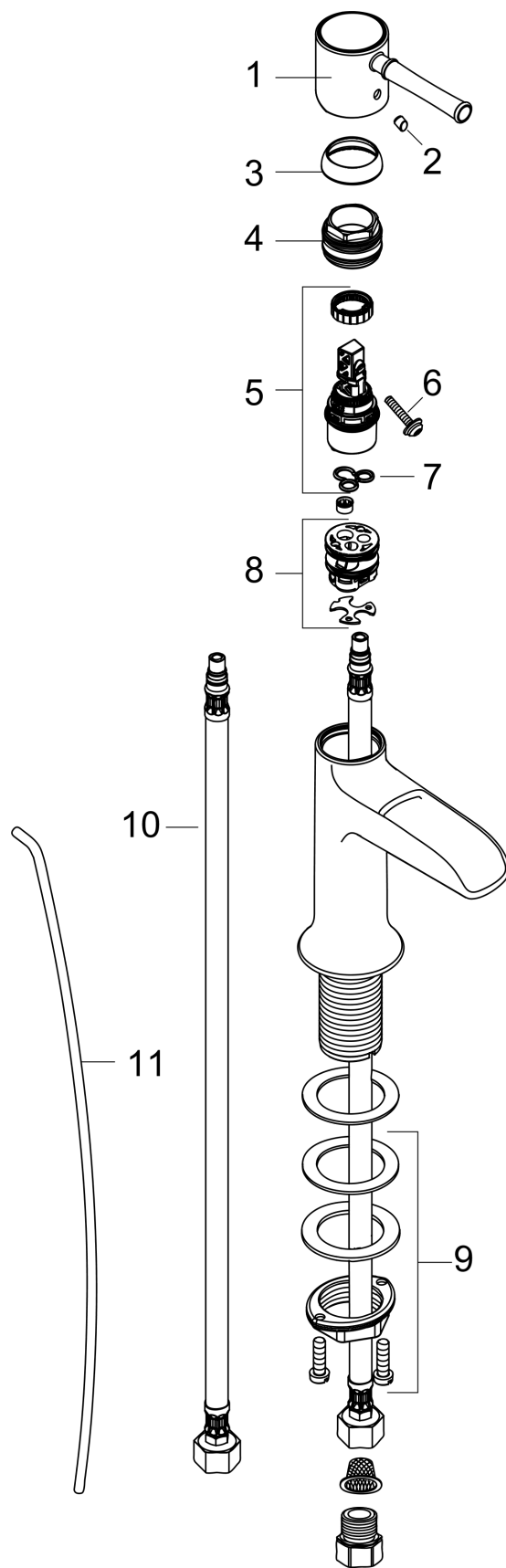


Talis C
Talis C Single-Hole Faucet, Open Spout
Finishes : **chrome** Part no. : **14127001**



Exploded drawing

Year of production: >07/16



Talis C
Talis C Single-Hole Faucet, Open Spout
 Finishes : **chrome** Part no. : **14127001**



Spare parts list

Year of production: >07/16

Pos.	Description	Part no.	Price	PU
1	handle	14191000	-	1
2	screw cover	96338000	-	1
3	flange	98863000	-	1
4	nut	98864000	-	1
5	cartridge, assy	95973001	-	1
6	locking screw for handle	95140000	-	1
7	seal	98865000	-	1
8	adapter for cartridge	98866000	-	1
9	fixing set (Ø 32)	13961000	-	1
10	connection hose 17½" M8x0,75 G3/8	95141001	-	1
11	pull rod	96657000	-	1
a	adapter for connection hose	88802000	-	1