

## PuraVida

### PuraVida Freestanding Tub Filler Trim

Finishes : **chrome** Part no. : **15473001**



#### Description

##### Features

- Flow: 5.5 GPM
- Joystick ceramic cartridge
- Solid brass
- Diverter for handshower

##### Comprised of

- PuraVida 120 1-Jet Handshower (#28558USA)
- Techniflex Hose with Cylindrical Nut, 49" (#28282XXX)

##### Required accessories

- Rough, Axor Starck Freestanding Tub Filler (#10452USA)

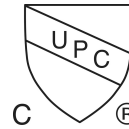
#### Item details

List Price \$ 2,600.00

#### Technology



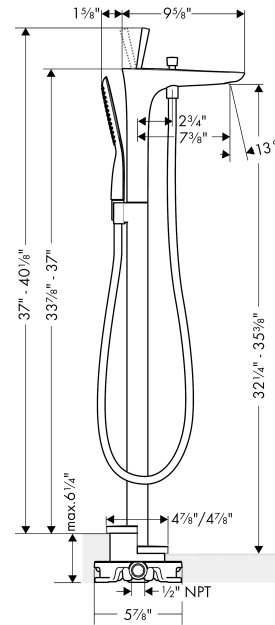
#### Compliance



#### Product image



#### Scale drawing



## PuraVida

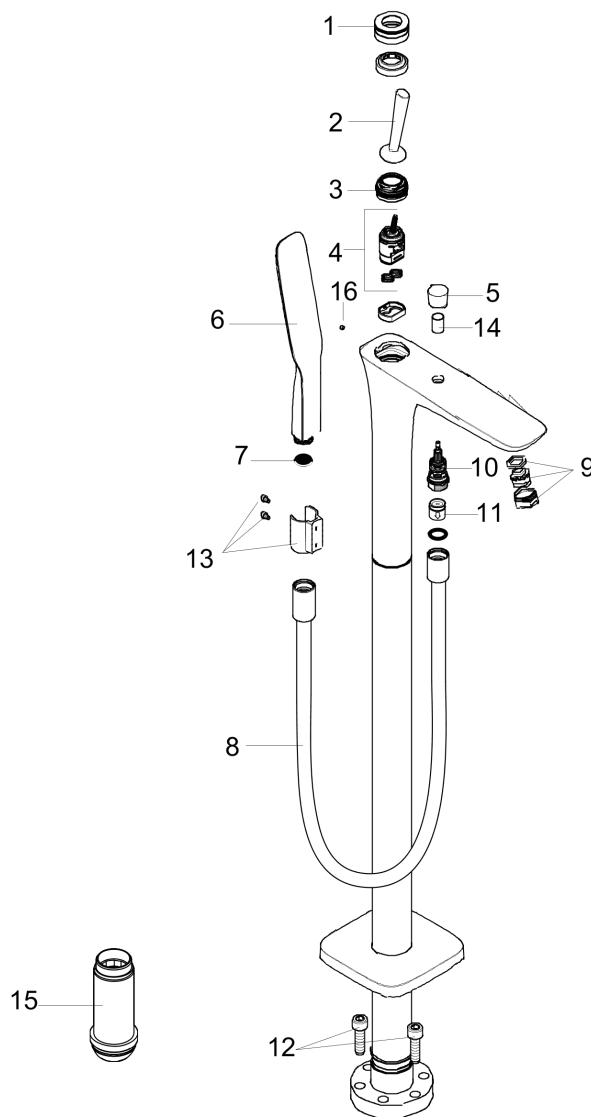
### PuraVida Freestanding Tub Filler Trim

Finishes : **chrome**    Part no. : **15473001**



#### Exploded drawing

Year of production: >09/09



**PuraVida**

**PuraVida Freestanding Tub Filler Trim**

Finishes : **chrome** Part no. : **15473001**



**Spare parts list**

Year of production: >09/09

Pos.	Description	Part no.	Price	PU
1	escutcheon Ø 37 mm	95288000	-	1
2	handle	95287000	-	1
3	escutcheon	95157000	-	1
4	cartridge, assy	96339000	-	1
5	diverter knob	95284000	-	1
6	handshower	28558001	-	1
7	filter packing	94246000	-	1
8	shower hose 1,25 m	28282000	-	1
9	aerator M24x1 (30 l/min)	96512000	-	1
10	selector	97978000	-	1
11	non return valve	97980000	-	1
12	hexagon socket screw M10x35	97670000	-	1
13	shower holder, assy	96295000	-	1
14	sleeve	97979000	-	1
15	extension set 60 mm	97686000	-	1
16	hollow set screw M4x6	97767000	-	1
a	service tool for disassembling the handle	92124000	-	1