

**38-3.91T-\_-\_-EV4**

Wall Mounted Exposed Thermostatic Tub and Shower Set with Hand Shower

Shower/Hand Shower Flow Rate: 1.75 GPM

Note: Please specify ( E-G, P-R, U-W)



Meets the applicable requirements of ASME A112.18.1-2005/CSA B125.1-05, entitled "Plumbing Supply Fittings"

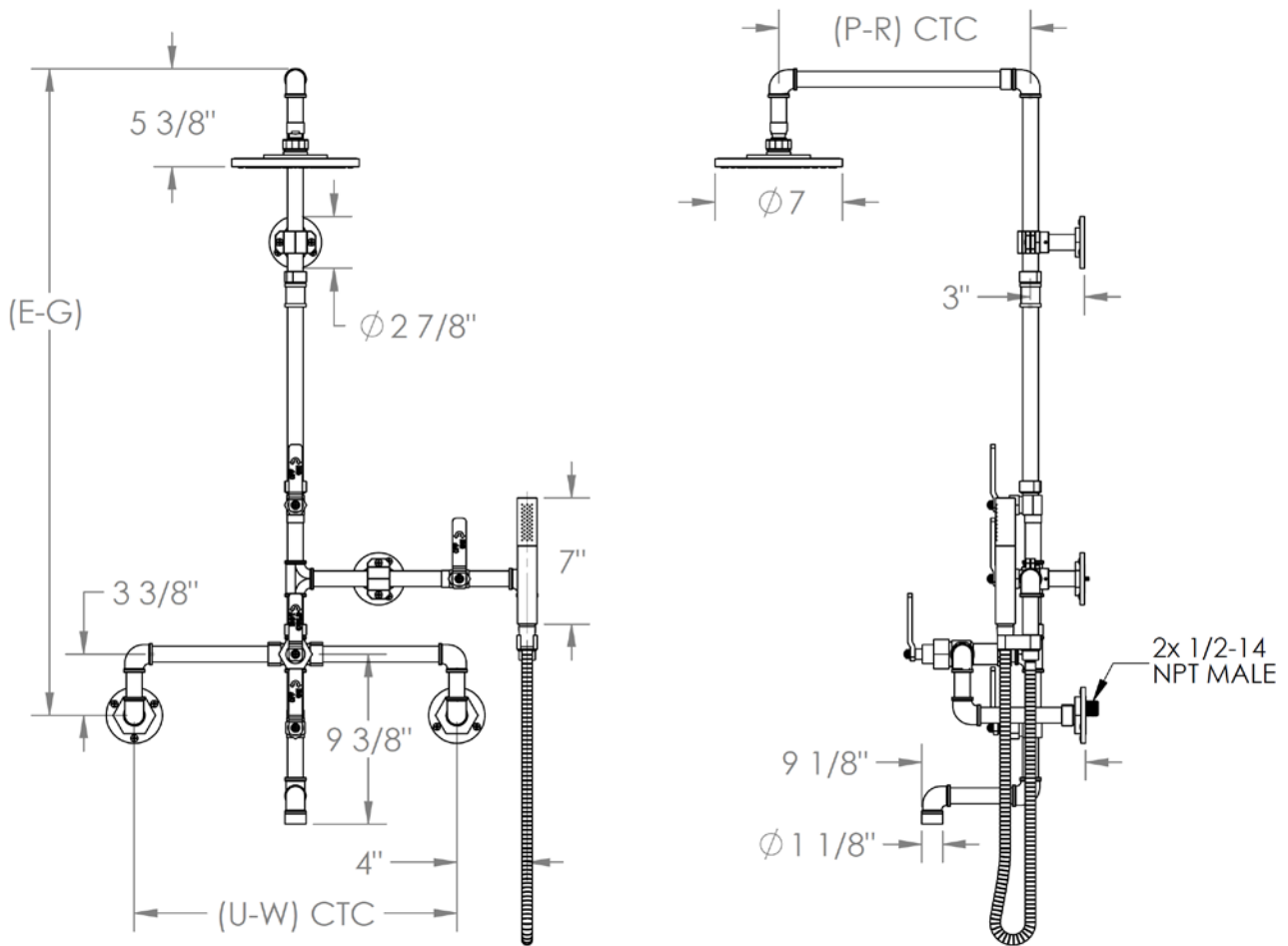
**38-3.91T- - - -EV4**

Wall Mounted Exposed Thermostatic Tub and Shower Set with Hand Shower

Shower/Hand Shower Flow Rate: 1.75 GPM

Note: Please specify ( E-G, P-R, U-W )

HEIGHT	PROJECTION	MOUNT SPREAD
E = 36"	-----	U = 8"
F = 48"	P = 14"	V = 12"
G = 60"	Q = 16"	W = 18"
-----	R = 18"	-----



Meets the applicable requirements of ASME A112.18.1-2005/CSA B125.1-05, entitled "Plumbing Supply Fittings"