

Ecostat

Ecostat Exposed Tub-Shower Thermostat

Finishes : **chrome** Part no. : **13241001**



Description

Features

- Thermostatic cartridge
- Shut-off/diverter valve
- Anti-scald 100° safety stop
- Flow: 5.3 GPM

Item details

List Price \$ 536.00

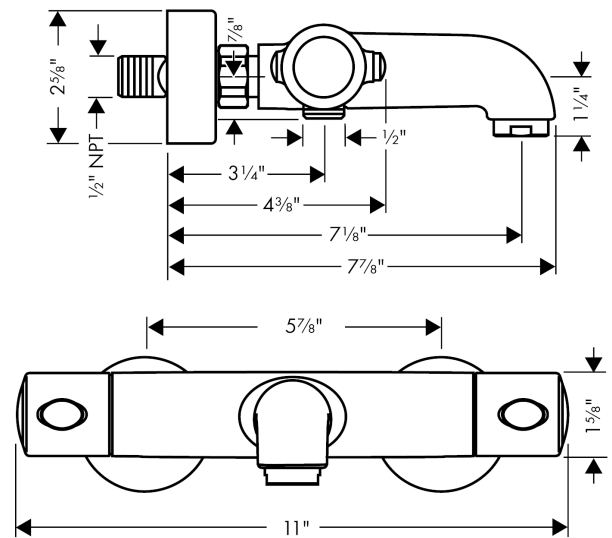
Compliance



Product image



Scale drawing



Ecostat

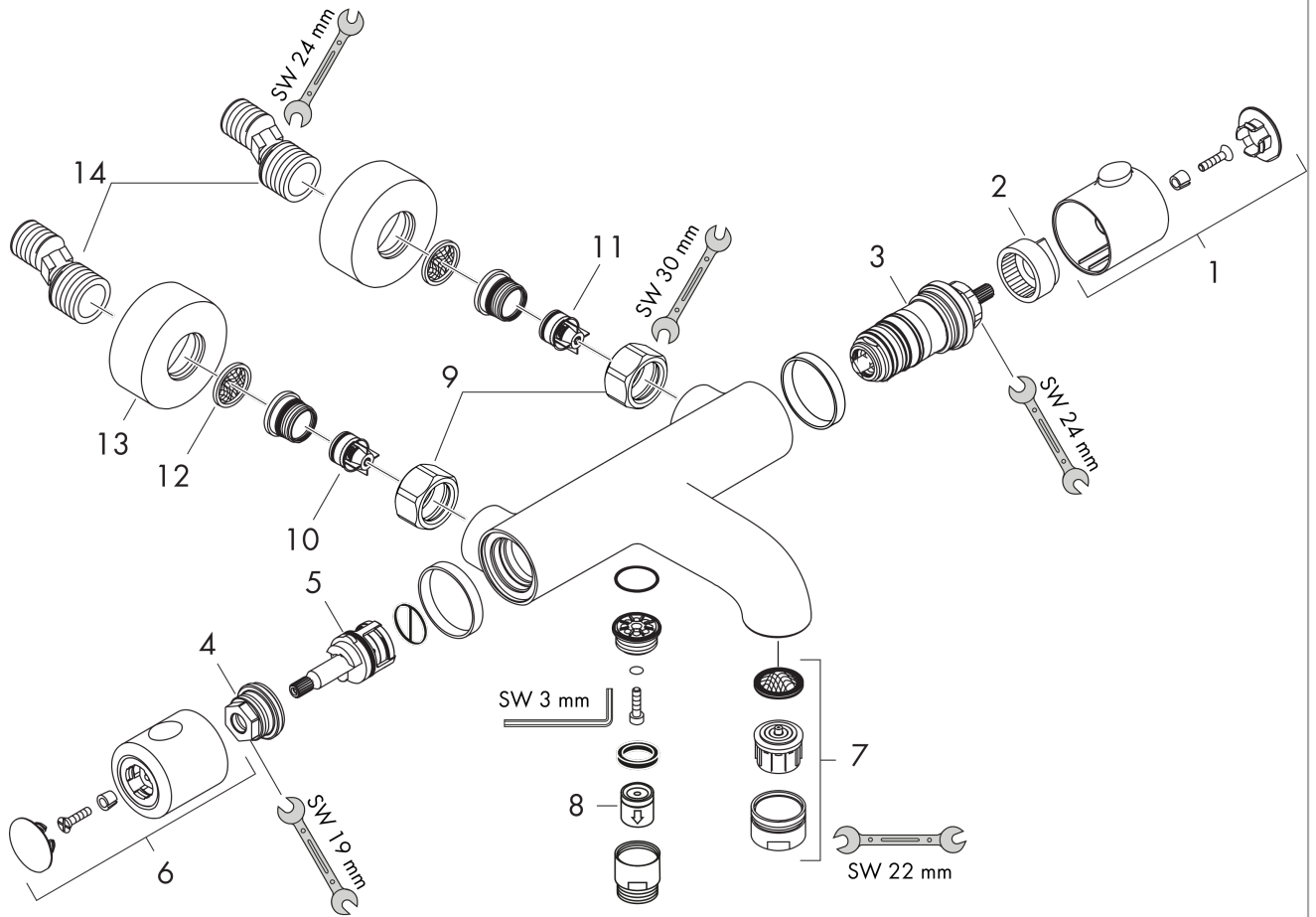
Ecostat Exposed Tub-Shower Thermostat

Finishes : **chrome** Part no. : **13241001**



Exploded drawing

Year of production: **01/07 - 12/17**



Ecostat

Ecostat Exposed Tub-Shower Thermostat

Finishes : **chrome** Part no. : **13241001**



Spare parts list

Year of production: **01/07 - 12/17**

Pos.	Description	Part no.	Price	PU
1	handle	96618000	-	1
2	safety set for temperature control	95041000	-	1
3	thermostat cartridge	94282000	-	1
4	nut	92853000	-	1
5	shut off unit with selector	96509000	-	1
6	handle	96619000	-	1
7	aerator M28x1 (25 l/min)	13485000	-	1
8	set of non return valves DW 15	94074000	-	1
9	set of nuts	96157000	-	1
10	non return valve (pressure-resistant up to 2 MPa)	93136000	-	1
11	non return valve	96737000	-	1
12	filter packing	96922000	-	1
13	escutcheon Ø 68 mm	96467000	-	1
14	set of S-unions	94140001	-	1