

Talis C
Talis C Single-Hole Faucet, Tall
 Finishes : **chrome** Part no. : **14116001**



Description

Features

- Solid brass
- Aerated spray
- Flow: 1.2 GPM
- Ceramic cartridge
- Includes pop-up assembly

Optional accessories

- Base Plate for Traditional Single-Hole Faucets 6" (#14018USA)

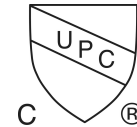
Item details

List Price \$ 420.00

Technology



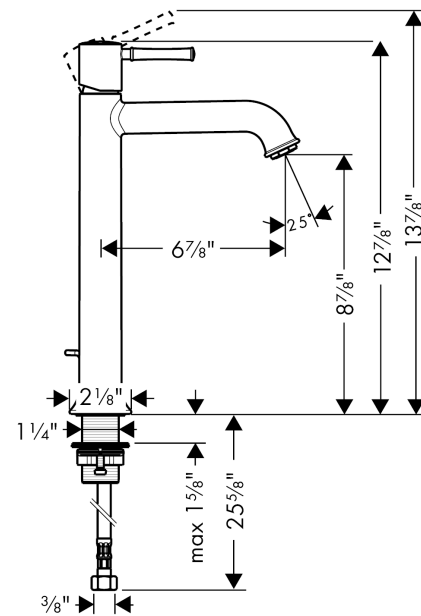
Compliance



Product image



Scale drawing

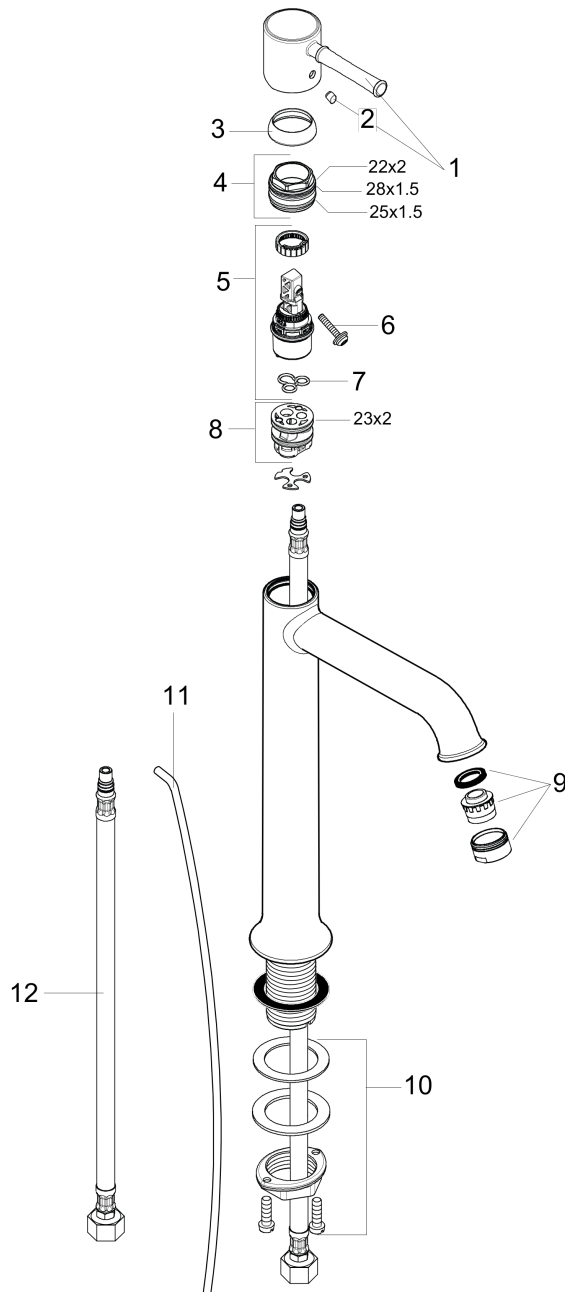


Talis C
Talis C Single-Hole Faucet, Tall
Finishes : **chrome** Part no. : **14116001**



Exploded drawing

Year of production: >04/09



Talis C
Talis C Single-Hole Faucet, Tall
 Finishes : **chrome** Part no. : **14116001**



Spare parts list

Year of production: >04/09

Pos.	Description	Part no.	Price	PU
1	handle	14191000	-	1
2	screw cover	96338000	-	1
3	flange	98863000	-	1
4	nut	98864000	-	1
5	cartridge, assy	97685000	-	1
6	locking screw for handle	95140000	-	1
7	seal	98865000	-	1
8	adapter for cartridge	98866000	-	1
9	aerator M24x1 (5 l/min)	88744000	-	1
10	fixing set (Ø 32)	13961000	-	1
11	pull rod	96657000	-	1
12	connection hose 35½" M8x0,75 3/8"	96316001	-	1
a	O-Ring 22x2	98185000	-	1
b	O-ring 28x1,5	98421000	-	1
c	O-ring 25x1,5	98146000	-	1
d	O-ring 23x2	98398000	-	1
e	pop up waste	88509000	-	1