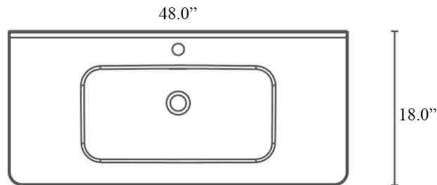


Technical features

Technical drawing



Name

BEAUTY

Material

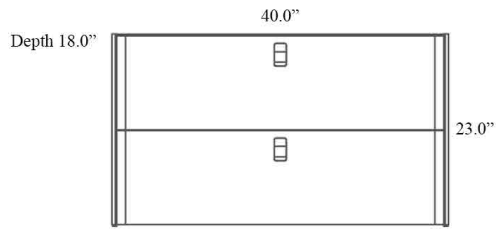


Colour



Colour

Gloss White



CONCERT
2 Drawers



Nordic Oak



Samara Ash



Gloss White

Technical information

STRUCTURE:	MDF board in 5/8 in. Continuous wrapping in 2D.
FRONT:	MDF board in 5/8 in. Continuous wrapping in 2D.
HANDLE:	Metallic bright chrome finish.
DRAWER:	Drawers made in mokka textile poly laminate coated board with hidden partial extraction runners with soft close system. Lower drawer useful space (width x height x depth): 35 ^{13/16} x 4 ^{5/16} x 12 ^{3/4} in.
WALL HANGING BRACKET:	Hidden hanging bracket for hidden installation with great resistance and depth and height regulations.
PIPE DEPTH:	Pipe depth 2 ^{3/4} in.

Collection
Concert

Model |
Concert 100

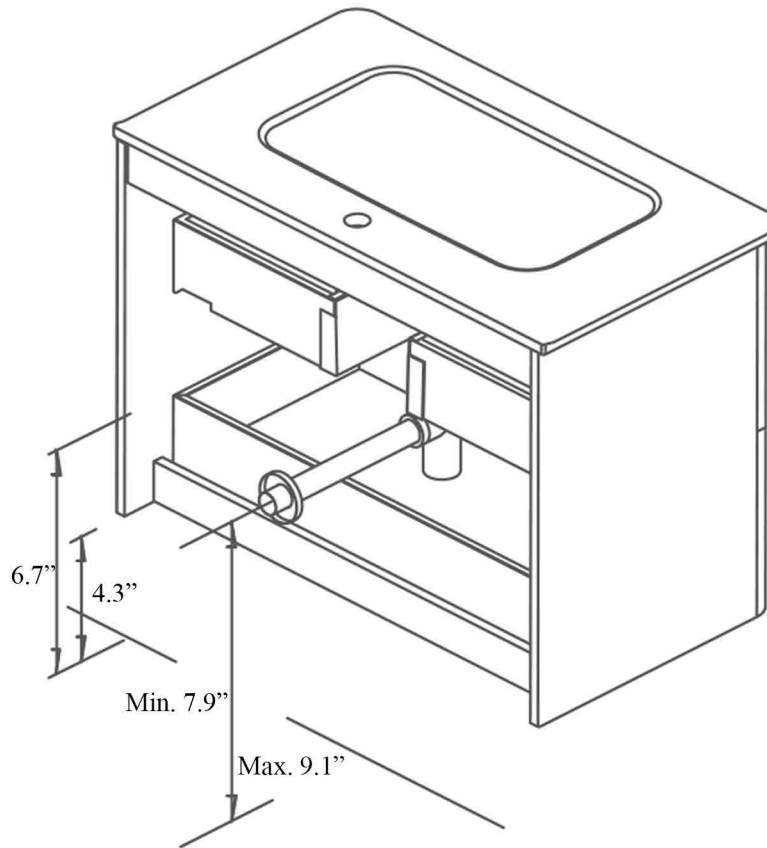
Dimensions Metric

1 inch = 2.54 cm
1 inch = 25.4 mm

WS[®]
BATH
COLLECTIONS

1051 Lea Drive - Collegeville, PA 19426
Tel. 215 513 9400 - Fax 610 831 0215

www.ws bathcollections.com - info@ws bathcollections.com



ES

EN

Las cotas indicadas en los dibujos son en función de la altura de la pata del conjunto, en caso de que el mueble vaya suspendido y esta altura no se respete, dichas cotas también variarán.

Dimensions indicated in the drawing are based on the level of the whole leg, in case of wall hanging the furniture dimensions also may vary.

Collection
Concert

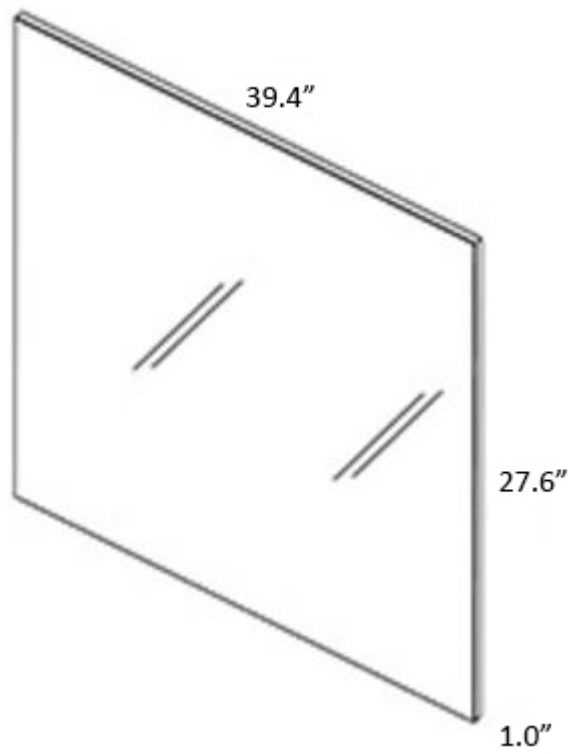
Model
Concert 100

Dimensions Metric

1 inch = 2.54 cm
1 inch = 25.4 mm



1051 Lea Drive - Collegetown, PA 19426
Tel. 215 513 9400 - Fax 610 831 0215
www.ws bathcollections.com - info@ws bathcollections.com



Collection
Murano

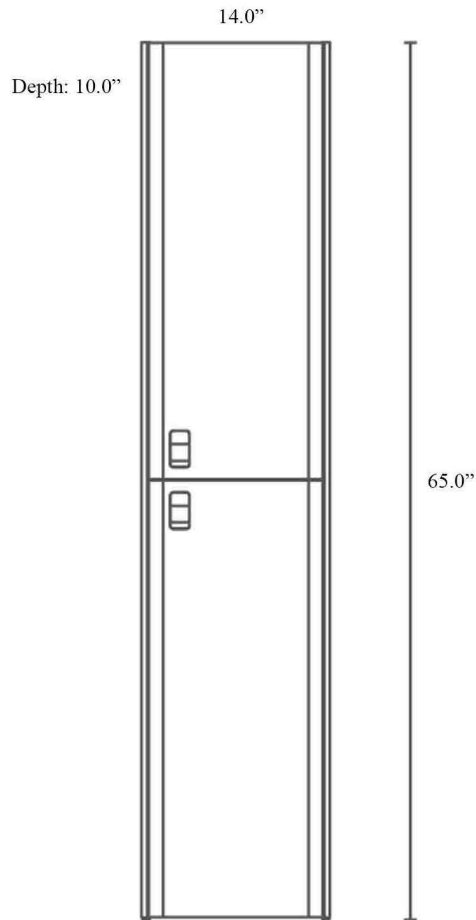
Model |
Murano 100

Dimensions Metric
1 inch = 2.54 cm
1 inch = 25.4 mm

WS[®]
BATH
COLLECTIONS

1051 Lea Drive - Collegeville, PA 19426
Tel. 215 513 9400 - Fax 610 831 0215
www.ws bathcollections.com - info@ws bathcollections.com

Technical features / Características técnicas



Name Nombre	Material Material	Colour Color
----------------	----------------------	-----------------



CONCERT
2 Doors
2 Puertas



Technical information / Información técnica

STRUCTURE	MDF board in 5/8 in. continuous wrapping in 2D/ Cyclum Process.
FRONT	MDF board in 5/8 in. continuous wrapping in 2D/ Cyclum Process.
HANDLE	Metallic bright chrome finish.
INTERNAL DISTRIBUTION	2 mobile wooden shelves and 1 fixed wooden shelf.
HINGE	105° opening, Ø1 3/8 in. cap, easy assembly and soft close system.

Collection
Concert

Model |
Concert Column

Dimensions Metric
1 inch = 2.54 cm
1 inch = 25.4 mm

WS[®]
BATH
COLLECTIONS

1051 Lea Drive - Collegeville, PA 19426
Tel. 215 513 9400 - Fax 610 831 0215
www.ws bathcollections.com - info@ws bathcollections.com

We recommend the following items that work with your sink.

TRAPS



WSBC 53922
Our best seller

DRAINS



WSBC 53991
Push waste drain (click clack)
with overflow

MOUNTING HARDWARE

Wall-mount installation

Vessel/ countertop installation



Bolts



Silicone (*optional*)

Collection
Concert

Model |
Concert 100

Dimensions Metric
1 inch = 2.54 cm
1 inch = 25.4 mm

WS®
BATH
COLLECTIONS

1051 Lea Drive - Collegeville, PA 19426
Tel. 215 513 9400 - Fax 610 831 0215
www.ws bathcollections.com - info@ws bathcollections.com