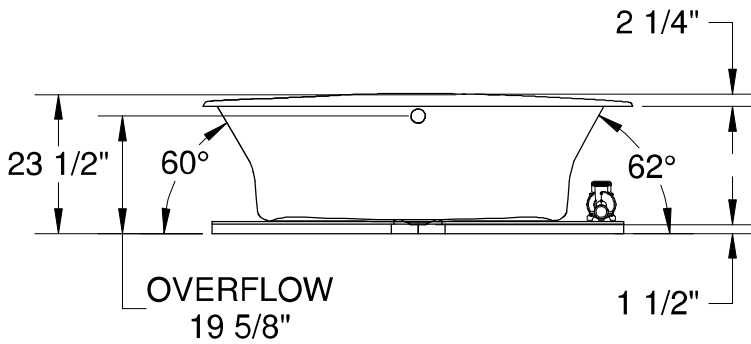
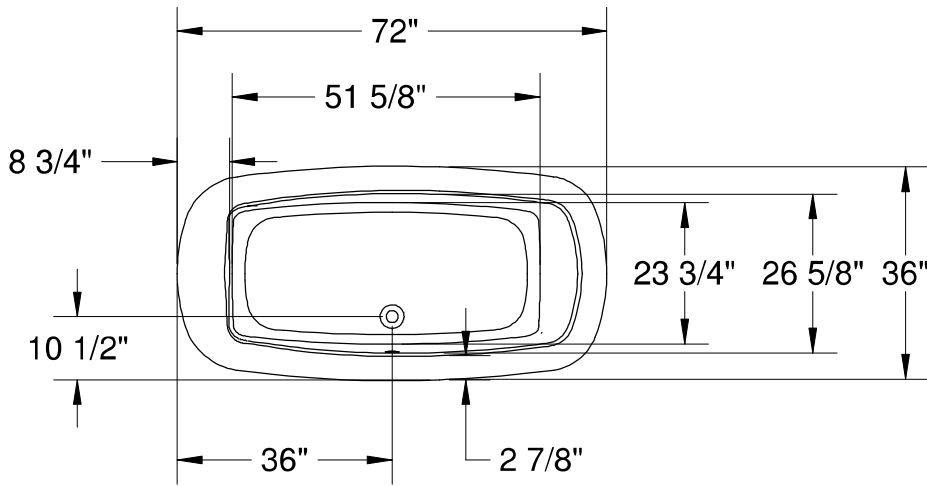
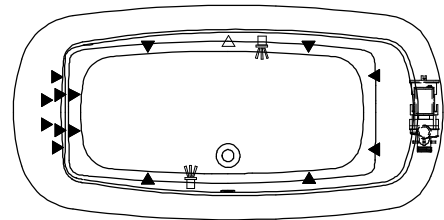


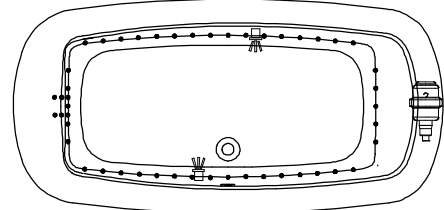
Eterne 7236 (cont'd)



WHIRLPOOL SYSTEM



AIR SYSTEM



Blower and/or pump location is indicated on the technical drawing.

All dimensions are approximate.
Structure measurement must be verified against the unit to ensure proper fit.

- (▲) : Indicates whirlpool jets positioning
- (●) : Indicates Aerofeel airjets positioning
- (△) : Indicates suction positioning
- (☼) : Indicates chromatherapy light positioning