

**PRODUCT SPECIFICATIONS**

Gourmet E-Granite™ Single Bowl Top Mount Sink. Overall dimensions are 33" x 20-7/8" x 9-7/16". Sink is molded with up to 80% natural quartz and high performance acrylic resins that are non-porous providing superior heat, scratch, fade and stain resistance. Naturally sound deadening and Rear Center drain placement.

|                              |   |
|------------------------------|---|
| <b>Installation Type:</b>    | Top Mount   |
| <b>Material:</b>             | E-Granite   |
| <b>Finish:</b>               | Bisque (BQ), Black (BK), Dusk Gray (GY), Greige (GR), Greystone (GS), Mocha (MC), Pecan (PC), Putty (PT), Sand (SD), White (WH) |
| <b>Number of Bowls:</b>      | 1   |
| <b>Sink Dimensions:</b>      | 33" x 20-7/8" x 9-7/16"   |
| <b>Bowl 1 Dimensions:</b>    | 30-1/4" x 16-5/16" x 9-7/16"  |
| <b>Drain Size:</b>           | 3-1/2" (89mm)   |
| <b>Drain Location:</b>       | Rear Center   |
| <b>Minimum Cabinet Size:</b> | 36"   |
| <b>Mounting Hardware:</b>    | Part # 64090408 included for countertops up to 1-3/4" (44mm) thick  |
| <b>Cutout Template #:</b>    | <a href="#">1000003473</a>  |

Template is available for download at [elkay.com](#)

**Cutout Dimensions for Top Mount Installation:**

32-1/4" x 20-1/8" (819mm x 511mm) with 1/2" (13mm) corner radius



**AMERICAN PRIDE. A LIFETIME TRADITION.**

Like your family, the Elkay family has values and traditions that endure. For almost a century, Elkay has been a family-owned and operated company, providing thousands of jobs that support our families and communities.



Sinks are listed by IAPMO® as meeting the applicable requirements of the Uniform Plumbing Code®, International Plumbing Code®, and National Plumbing Code of Canada.

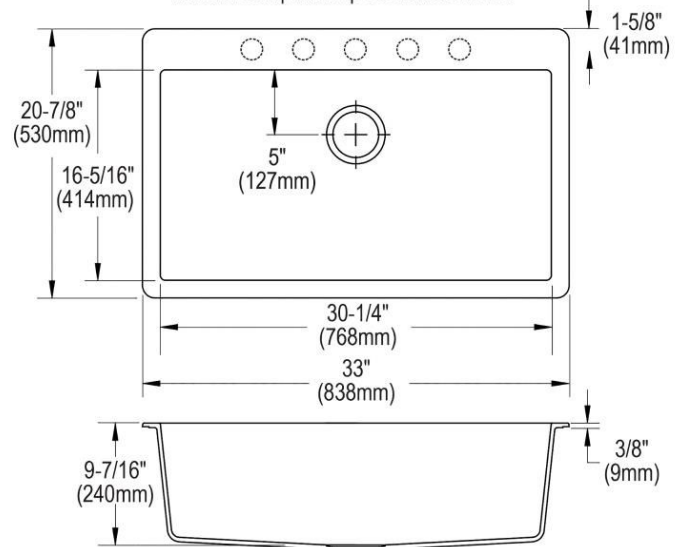
**Product Compliance:** CSA B45.5/IAPMO Z124

[Clean and Care Manual \(PDF\)](#)

[Installation Instructions \(PDF\)](#)

[Limited Lifetime Warranty \(PDF\)](#)

1-1/2" (38mm) Diameter Faucet Holes on 4" (102mm) Centers are Pre-Scored. Installer can punch up to 5 faucet holes.



PART: \_\_\_\_\_ QTY: \_\_\_\_\_

PROJECT: \_\_\_\_\_

CONTACT: \_\_\_\_\_

DATE: \_\_\_\_\_

NOTES: \_\_\_\_\_

APPROVAL: \_\_\_\_\_

In keeping with our policy of continuing product improvement, Elkay reserves the right to change product specifications without notice. Please visit [elkay.com](#) for the most current version of Elkay product specification sheets. This specification describes an Elkay product with design, quality, and functional benefits to the user. When making a comparison of other producers' offerings, be certain these features are not overlooked.