

PRODUCT SPECIFICATIONS

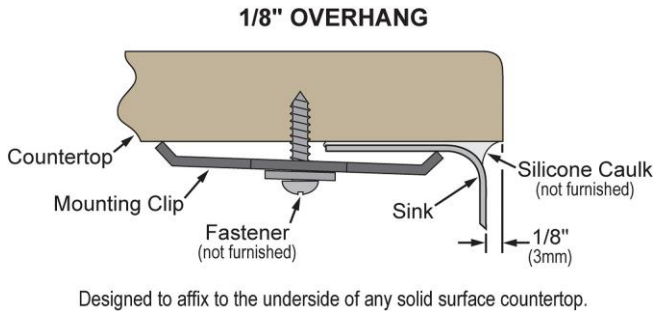
Elkay Avado Stainless Steel 47-1/4" x 18-1/2" x 10", Double Bowl Undermount Sink. Sink is manufactured from 16 gauge 304 Stainless Steel with a Polished Satin finish, Center drain placement, and Sound Guard.

Installation Type:	Undermount
Material:	304 Stainless Steel
Special Features:	Drainboard
Finish:	Polished Satin
Gauge:	16
Sound Deadening:	Sound Guard
Number of Bowls:	2
Sink Dimensions:	47-1/4" x 18-1/2" x 10"
Bowl 1 Dimensions:	16" x 16" x 10"
Bowl 2 Dimensions:	11-1/2" x 16" x 10"
Drain Size:	3-1/2" (89mm)
Drain Location:	Center
Minimum Cabinet Size:	51"
Mounting Hardware:	Part # 54300008 included
Template Included:	Yes
Cutout Template #:	1000001410

Template is available for download at [elkay.com](#)

Special Note: Reversible design, sink can be rotated so work area is on the left or right. Zero radius sinks feature straight sidewalls and tight corners.

Installation Profile:



OPTIONAL ACCESSORIES

Bottom Grid:	LKFBG1116SS
Cutting Board:	LKCBF1616HW
Drain:	LK99
Faucet:	LKAV1031, LKAV2031, LKAV3041
Rinsing Basket:	LKWERBSS, LKFRB1116SS
Sinkmate:	LKSM17, LKSMHOOK, LKSMSPONGE, LKSMHSL
Soap Dispenser:	LKAV3054

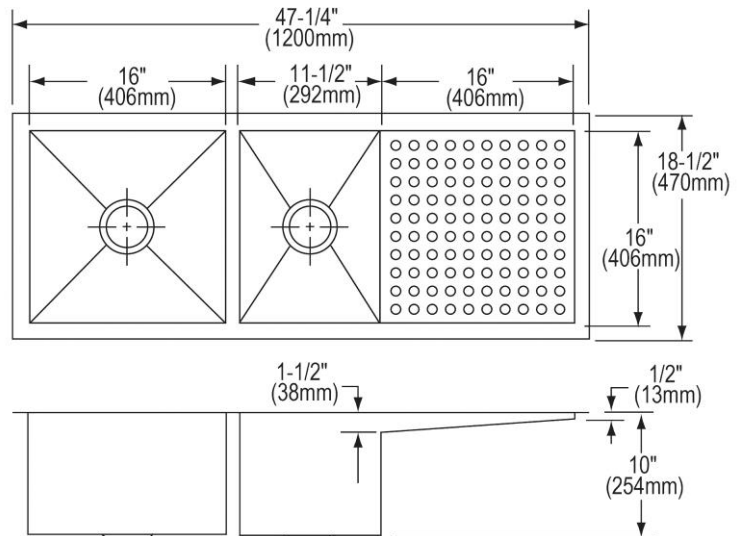


AMERICAN PRIDE. A LIFETIME TRADITION.
Like your family, the Elkay family has values and traditions that endure. For almost a century, Elkay has been a family-owned and operated company, providing thousands of jobs that support our families and communities.

Sinks are listed by IAPMO® as meeting the applicable requirements of the Uniform Plumbing Code®, International Plumbing Code®, and National Plumbing Code of Canada.

Product Compliance: ASME A112.19.3/CSA B45.4
Accessory: ASME A112.18.2/CSA B125.2

[Clean and Care Manual \(PDF\)](#)
[Installation Instructions \(PDF\)](#)
[Limited Lifetime Warranty \(PDF\)](#)



PART: _____ QTY: _____
PROJECT: _____
CONTACT: _____
DATE: _____
NOTES: _____
APPROVAL: _____

In keeping with our policy of continuing product improvement, Elkay reserves the right to change product specifications without notice. Please visit [elkay.com](#) for the most current version of Elkay product specification sheets. This specification describes an Elkay product with design, quality, and functional benefits to the user. When making a comparison of other producers' offerings, be certain these features are not overlooked.