

# CST446CUMFG

## Aquia® IV 1G® Close Coupled Toilet, 1.0 & 0.8 GPF

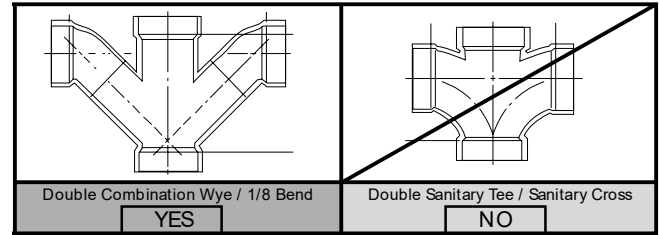
### SPECIFICATIONS

Water Use	1.0 & 0.8 GPF (3.8 & 3.0 LPF)
Flush System	DYNAMAX™ TORNADO FLUSH®
Min. Water Pressure	8 psi (Flowing)
Water Surface	5-5/8" x 4-1/8"
Trap Diameter	2-1/2"
Rough-in	12" (10" & 14" Optional)
Trap Seal	2-1/8"
Warranty	One Year Limited Warranty
Material	Vitreous China
Shipping Weight	CT446CUFG 85 lbs
	ST446UM 29 lbs
Shipping Dimensions	CT446CUFG 30-3/4" L x 17-3/8" W x 20-1/2" H
	ST446UM 17-1/4" L x 7-7/8" W x 17-1/2" H

### INSTALLATION NOTES

#### Back-to-Back Toilet Installations:

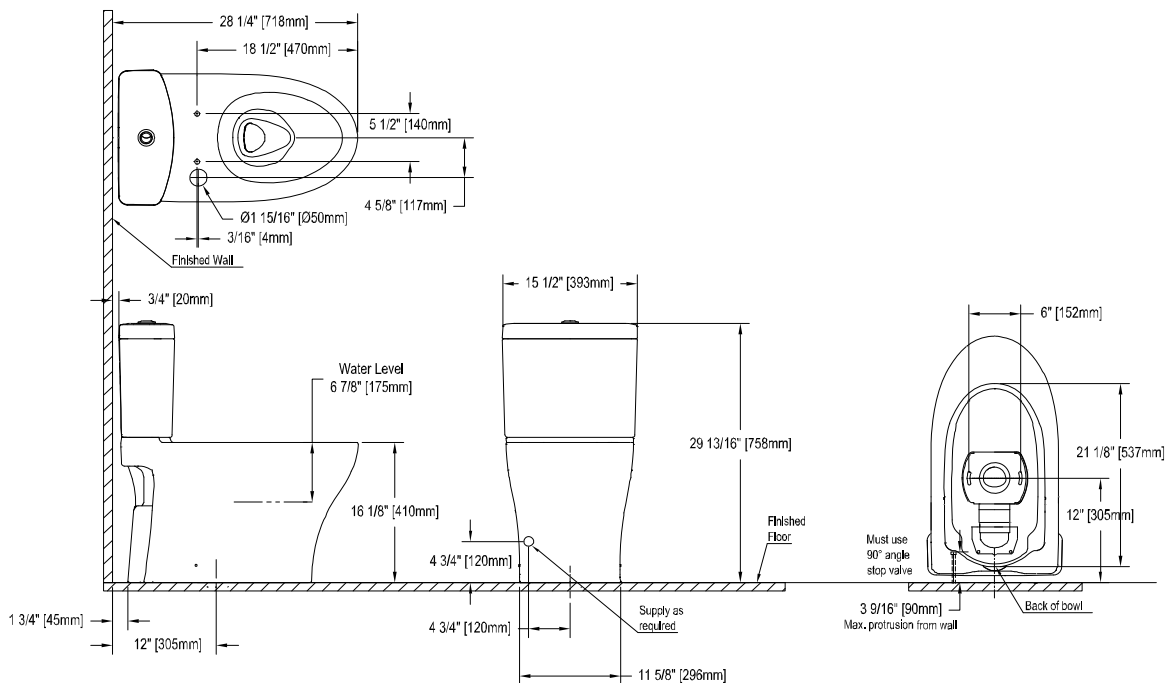
TOTO recommends the use of a nationally listed, double sanitary tee-wye only, in vertical waste stacks, in accordance with the stipulations noted in the majority of nationally recognized plumbing codes.



To maintain adequate wall gap between the back of the tank and wall, mount the floor flange at a nominal 12" rough-in distance.

Ultra-low high efficiency toilets require a system with adequate supplemental flows from other water usage fixtures and a 4" ID drainline with minimum 2% slope and maximum linear runs of 60ft.

### DIMENSIONS



**TOTO®**

These dimensions and specifications are subject to change without notice

Ph: (888) 295-8134 | Fax: (800) 699-4889 | www.totousa.com | © TOTO USA

# SS-01345 v.01