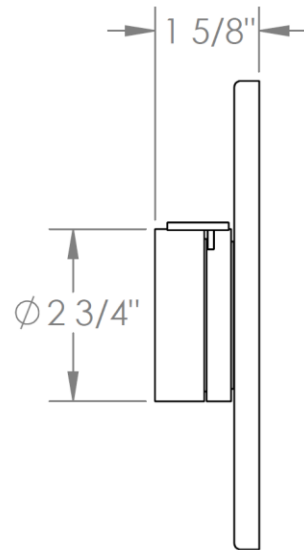
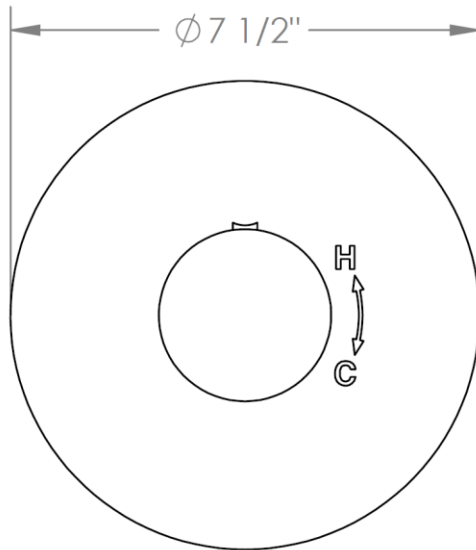
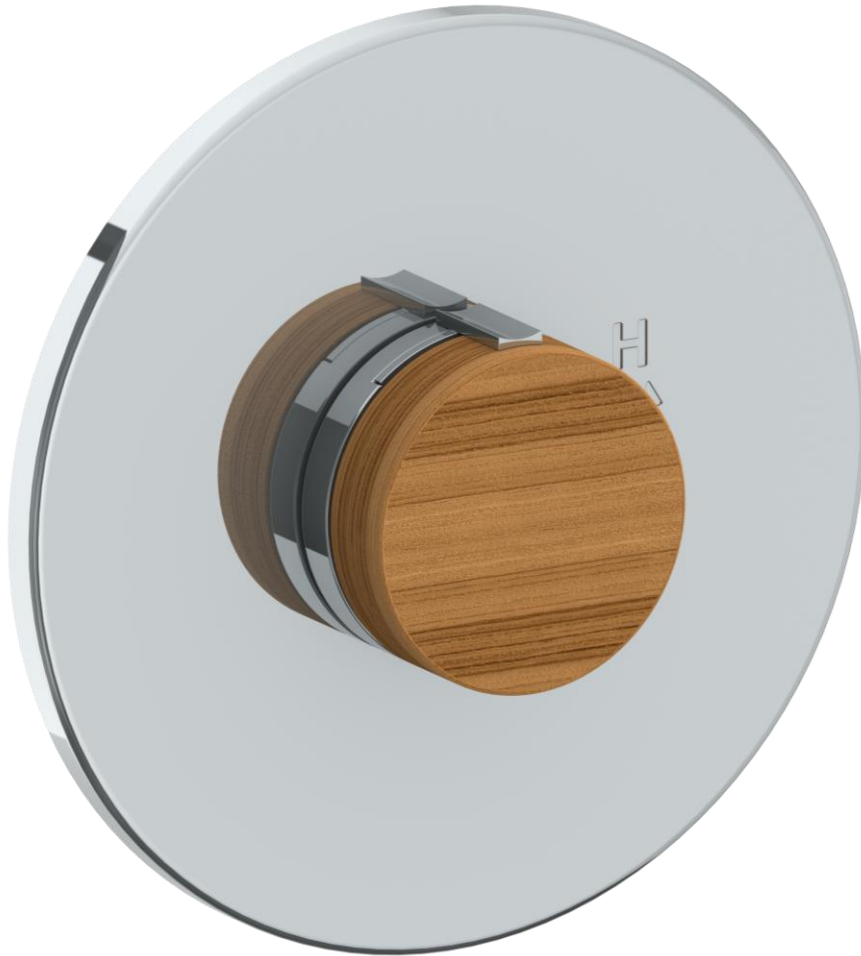


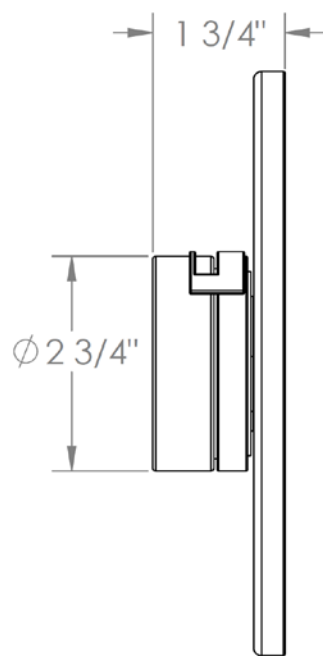
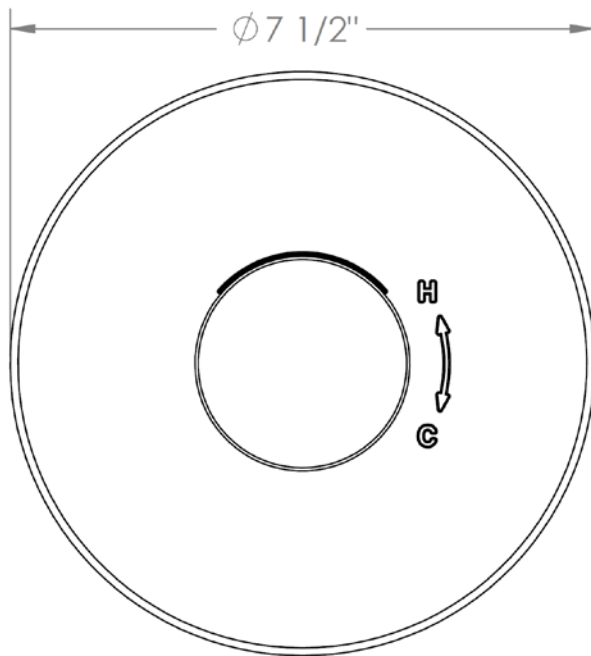
21-P80-E2

Trim Kit Only for Pressure Balance Valve
Requires SS-PB75 concealed rough



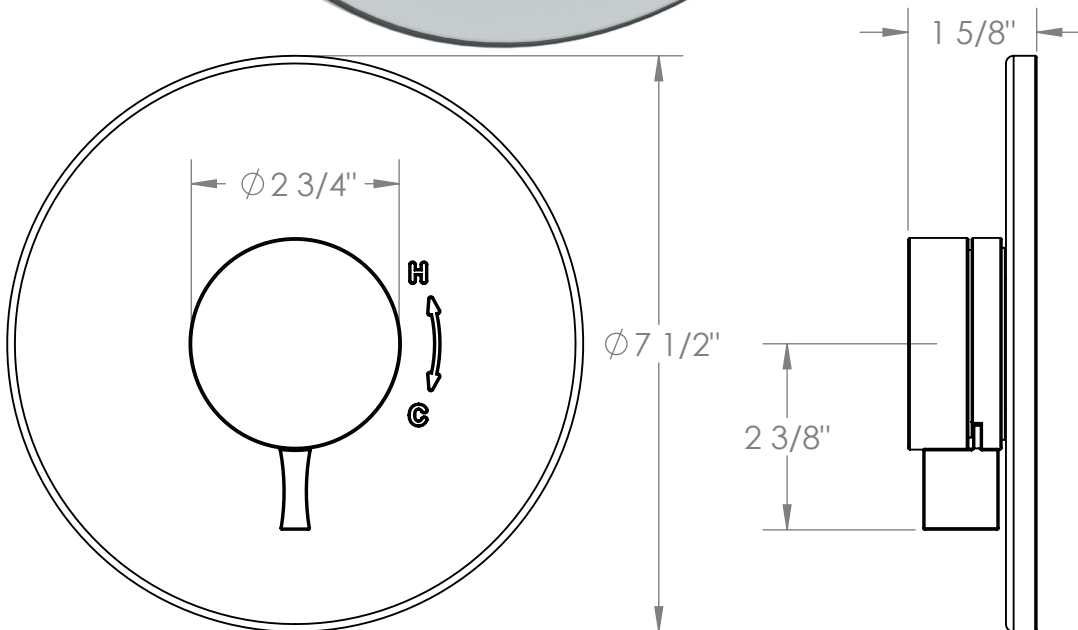
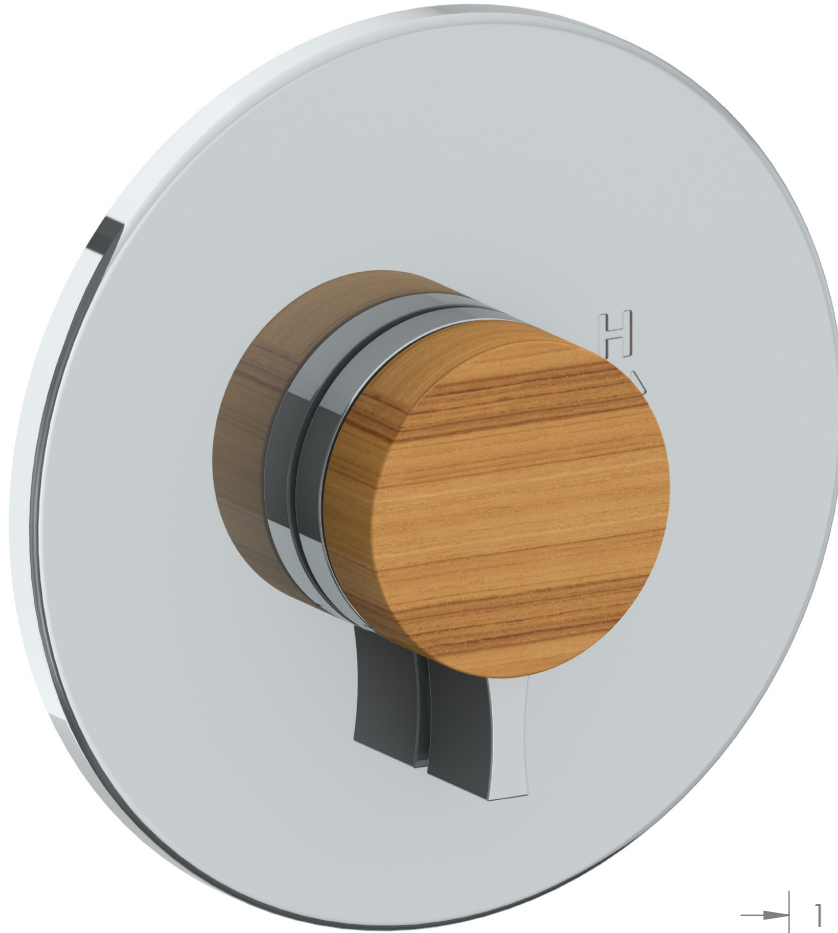
21-P80-E1

Trim Kit for Pressure Balance Valve
For use with SS-PB75 concealed rough



21-P80-E3

Trim Kit for Pressure Balance Valve
For use with SS-PB75 concealed rough



Meets the applicable requirements of ASME A112.18.1-2005/CSA B125.1-05, entitled "Plumbing Supply Fittings"